



X-TYPE

DATE 02/05
Amended 02/18/05

XT310-05

SERVICE

TECHNICAL BULLETIN

Fuel Gauge Failure or Intermittent Operation –
Fuel Level Sender Available Separately –
Replacement Procedure

MODEL 2002 MY-ON
X-TYPE
VIN C00001-ON

Remove and destroy Bulletin XT310-05 dated 02/05.
Replace with this Bulletin.
Revisions are marked with a bar and in bold text.

Issue:

This Technical Bulletin is for information only, to inform dealers that if there is a fault with the fuel level sender unit, the fuel level sender unit can now be replaced as a separate part.

Action:

To install a new fuel level sender unit, follow the procedure below.

FUEL PUMP SENDER REPLACEMENT - FIRST-TIME REPAIR ONLY

Note: There are two stages to the process for replacement of the fuel sender, one for a first-time repair, when the harness needs to be replaced, and another for any subsequent repairs when just the sender can be replaced.

1. Remove the fuel tank (see Global Technical Reference GTR Workshop Manual, section: 310-01, SRO 19.55.01).
2. Remove the fuel pump module(s) (see Global Technical Reference GTR Workshop Manual, section: 310-01, SRO 19.45.08).
3. Drain any remaining fuel into a suitable container

NOTE: THE INFORMATION IN TECHNICAL BULLETINS IS INTENDED FOR USE BY TRAINED, PROFESSIONAL TECHNICIANS WITH THE KNOWLEDGE, TOOLS, AND EQUIPMENT TO DO THE JOB PROPERLY AND SAFELY. IT INFORMS THESE TECHNICIANS OF CONDITIONS THAT MAY OCCUR ON SOME VEHICLES, OR PROVIDES INFORMATION THAT COULD ASSIST IN PROPER VEHICLE SERVICE. THE PROCEDURES SHOULD NOT BE PERFORMED BY "DO-IT-YOURSELFERS." DO NOT ASSUME THAT A CONDITION DESCRIBED AFFECTS YOUR CAR. CONTACT A JAGUAR DEALER TO DETERMINE WHETHER THE BULLETIN APPLIES TO YOUR VEHICLE.

Note: Fuel pump shown; jet pump similar.

4. Cut the wires to the level sender tile.

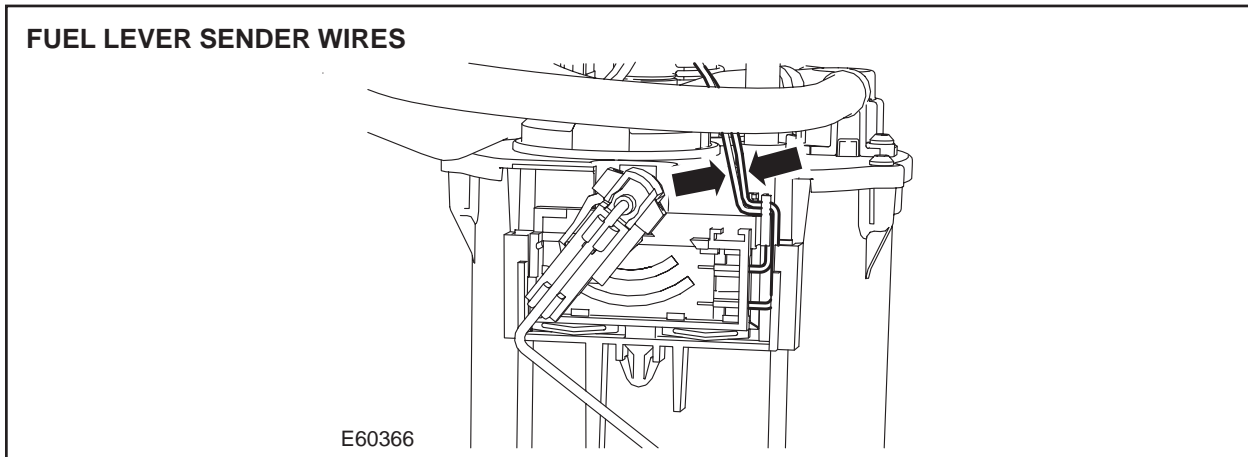


ILLUSTRATION 1

Note: Fuel pump shown; jet pump similar.

5. Using suitable pliers, release the locking tang of the sender tile from the housing.

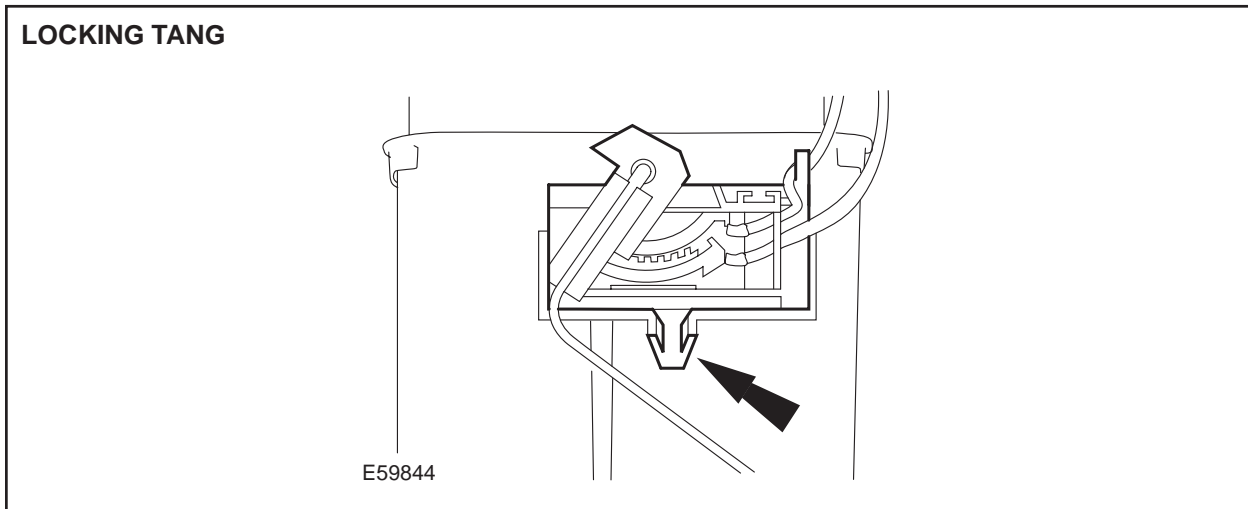


ILLUSTRATION 2

6. Remove the sender tile from the module.
7. Release the connector from the pump; note the orientation of the connector body as it passes through the flange.

Note: Fuel pump shown; jet pump similar.

8. Depress the retaining tangs of the connector body and release the connector from the flange.

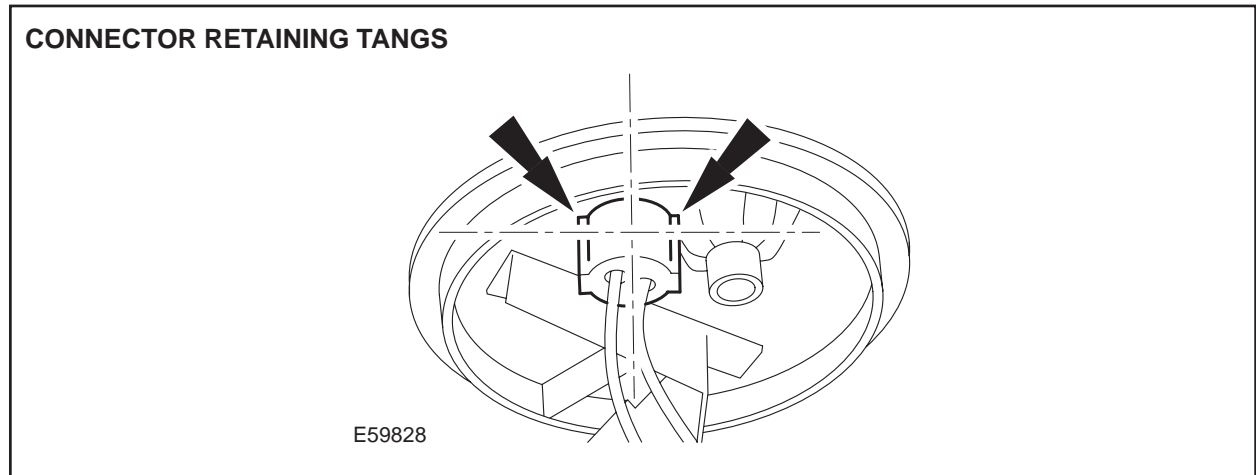


ILLUSTRATION 3

9. Withdraw the harness through the flange.

Installation

Note: Fuel pump shown; jet pump similar.

Note: Make sure the connector body locates firmly into the flange and that the O-ring seals to the flange.

10. Position the new flange harness through the flange in the same orientation as the original harness.

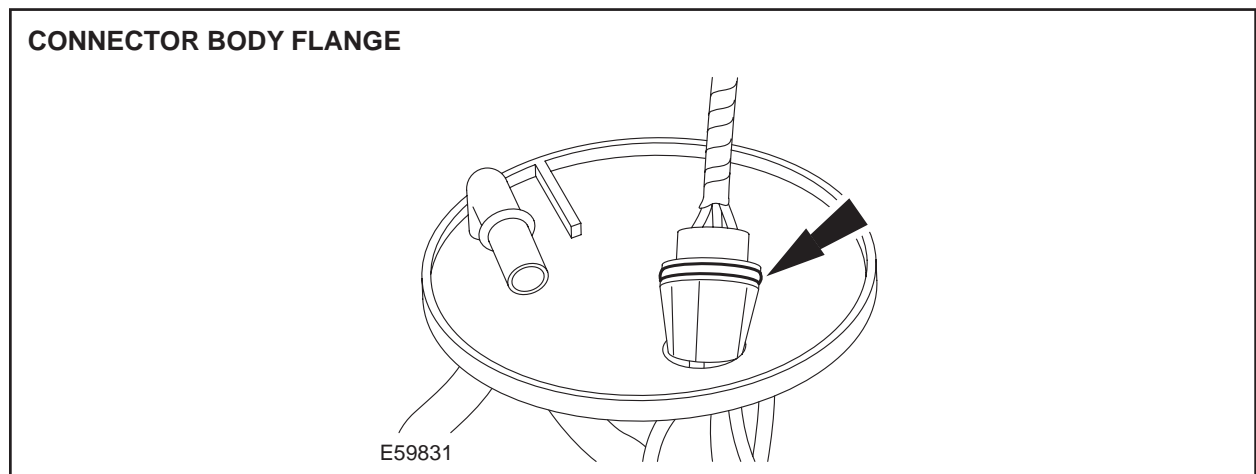


ILLUSTRATION 3

11. Connect the new harness to the pump.
12. Locate the new sender tile into the housing, making sure that the sender fully seats at each edge and that the tang clips are fully home.

Note: Fuel pump shown; jet pump similar.

13. Connect the new sender tile to the harness connector.

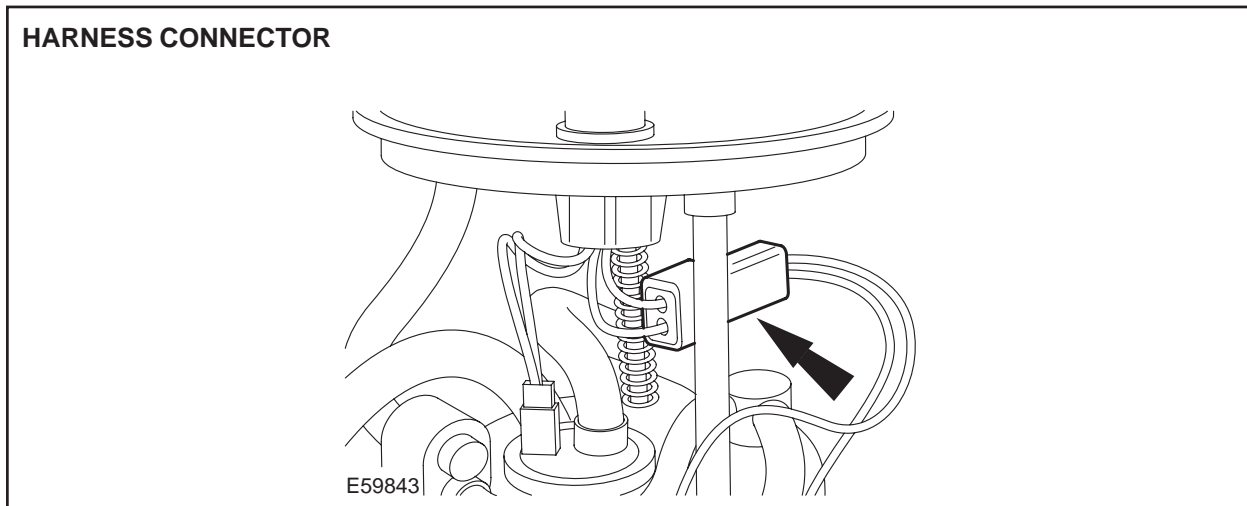


ILLUSTRATION 3

14. Install the fuel pump module(s) (see Global Technical Reference GTR Workshop Manual, section: 310-01, SRO 19.45.08).
15. Install the fuel tank (see Global Technical Reference GTR Workshop Manual, section: 310-01, SRO 19.55.01).

For subsequent repairs to install a new fuel level sender

16. Install a new fuel level sender unit (see Global Technical Reference GTR Workshop Manual, section: 310-01).

Global Technical Reference (GTR) Workshop Manual Information:

Dealer access: <https://hub.franchise.jaguar.com>

Internet access: <http://www.jaguartechno.com>

Parts Information:

<u>DESCRIPTION</u>	<u>PART NUMBER</u>	<u>QTY</u>
Fuel pump sender - 2.5L/3.0L - NA	C2S 39006	1
Jet pump sender - 2.5L/3.0L - NA	C2S 39007	1
Seal - 2.5L/3.0L - Prior VIN D55321	C2S 8592	1
Seal - 2.5L/3.0L - From VIN D55322	C2S 34902	1
Harness	C2S 40438	1

Warranty Information:

Warranty claims should be submitted quoting the information found in the table below. This will result in payment of the stated time and, where applicable parts/miscellaneous expense codes as listed.

Description	SRO	Time	Causal Part Number
Install a new fuel level sender unit - Right-hand - 2.5L/3.0L	88.25.31	3.0 hrs.	N/A
Install a new fuel level sender unit - Left-hand - 2.5L/3.0L - Prior VIN D55321	88.25.30	3.0 hrs.	N/A
Install a new fuel level sender unit - Left-hand - 2.5L/3.0L - From VIN D55322	88.25.30	3.1 hrs.	N/A
Install a new fuel level sender unit - Left and right-hand - 2.5L/3.0L - First-time repair	88.91.15	3.1 hrs.	N/A
Install a new fuel level sender unit - Right-hand - 2.5L/3.0L - First-time repair - NA Only	88.91.16	3.0 hrs.	N/A