

Occupant Protection

Seat Belts

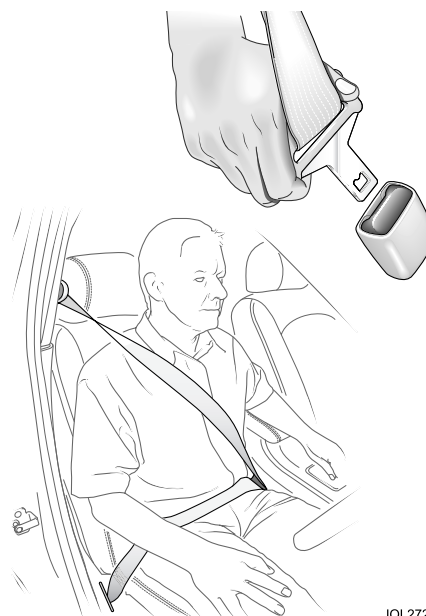
The use of front and rear seat belts is mandatory in most countries. Using seat belts saves lives. They should be worn by all occupants whenever the vehicle is in use, for maximum protection.

This vehicle has an individual lap/shoulder inertia reel seat belt for each occupant.

The inertia operating mechanism of the seat belts allows the wearers to move their upper bodies to reach various controls. The seat belts will lock automatically with accelerated body movement or in the event of emergency braking. Both front seat belts are equipped with pretensioners to assist restraint and safety belt force limiters to help minimise the risk of upper body injuries.

Seat belt height adjustment is provided for driver and front seat passenger to ensure that the seat belt webbing can be positioned to pass over the shoulder without pulling against the neck. It can be locked in any of five positions.

Seat Belt Fitting



WARNING:
Do not adjust the seat belt while driving.

Draw the tongue of the seat belt over the shoulder, across the chest and push it into the buckle unit slot. A positive 'click' indicates that it is safely locked.

The use of comfort clips or devices that would create slackness in the seat belt system are not recommended.

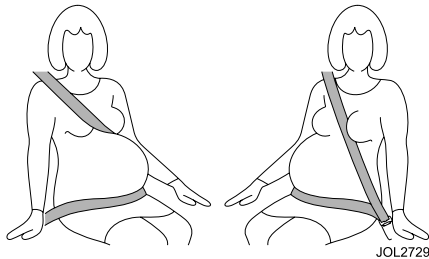
Always ensure that the webbing is midway between the neck and the edge of the shoulder. Correct tension is controlled by automatic retraction of the reel.

Occupant Protection

A warning light on the instrument panel comes on when the driver's seat belt is not fastened. (In some countries a warning signal sounds for six seconds.)

Note: *If the vehicle is parked on unlevel ground, the seat belt mechanism may lock. This is not a fault: allow the seat belt to retract a small amount before gently easing it from its attachment.*

Pregnant women



WARNING:

Pregnant women must wear a correctly positioned seat belt; it is safer for mother and unborn child.

There are many ways that the seat belt can be misused for the sake of comfort. However, there is only one way of wearing it safely.

The lap strap should be fitted comfortably across the hips, low beneath the pregnant abdomen. The diagonal part of the seat belt should be placed between the breasts, and worn above and to the side of the pregnant abdomen.

Never place anything between you and the seat belt in an attempt to cushion the impact in the event of an accident. It can be dangerous and reduce the effectiveness of the seat belt in preventing injury.

Always wear seat belts without slack or twists, since slack in a seat belt drastically reduces the effectiveness of the belt and the level of protection it can provide. For optimum protection, the seat belts should fit tightly around the body. Do not recline the front seats excessively, as the belts provide maximum protection when the seats are in the near upright position.

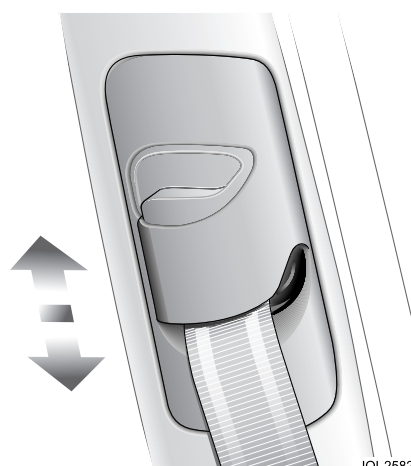


WARNING:

Never wear just the lap strap of a lap/shoulder diagonal seat belt and never sit on the lap strap using just the shoulder strap. Both of these actions are extremely dangerous and may increase your risk of serious injury.

Occupant Protection

Front belt height adjustment



To operate: Press the locking button and slide the anchorage point to the required position to ensure comfort and safety. Release the button and check that the anchorage point is locked.

Always check the anchorage point after the seat has been adjusted to ensure that the belt is correctly positioned.

Inertia reel mechanism check

With the seat belt fastened, give the belt near the buckle a quick upward pull. The buckle must remain securely locked.

With the seat belt unfastened, unreel the belt to the limit of its travel. Check that the unreeling is free from snatches and snags and then allow the belt to FULLY retract.

Partially unreel the belt, then hold the buckle and give it a quick forward pull. The mechanism must lock and prevent any further unreeling. If a seat belt should fail any of these tests, contact your Jaguar Dealer/Authorised Repairer immediately.

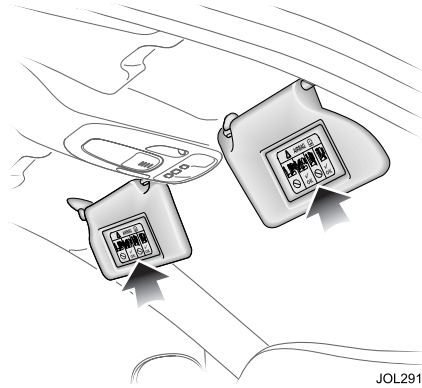
WARNING:

- **Seat belts are designed to bear upon the bony structure of the body, and should be worn low across the front of the pelvis or the pelvis, chest and shoulders, as applicable: wearing the lap section of the belt across the abdominal area must be avoided.**
- **Seat belts should be adjusted as firmly as possible, consistent with comfort, to provide the protection for which they have been designed. A slack belt will greatly reduce the protection afforded to the wearer.**
- **Care should be taken to avoid contamination of the webbing with polishes, oils and chemicals, and particularly battery acid. Cleaning may safely be carried out using mild soap and water. The belt should be replaced if webbing becomes frayed, contaminated or damaged.**
- **It is essential to replace the entire assembly after it has been worn in a severe impact even if damage to the assembly is not obvious.**

Occupant Protection

- No modifications or additions should be made by the user which will either prevent the seat belt adjusting devices from operating to remove slack, or prevent the seat belt assembly from being adjusted to remove slack.
- Belts should not be worn with straps twisted.
- Each seat belt assembly must only be used by one occupant; it is dangerous to put a belt around a child being carried on the occupant's lap.
- Should the seat belt not retract and remain at its static length, consult your nearest Jaguar Dealer/ Authorised Repairer immediately.
- If the seat belt requires replacement because of contamination or having been worn in a severe impact, then it should be renewed by a Jaguar Dealer/ Authorised Repairer only.

Occupant Restraints



In order to provide optimum protection this vehicle is equipped with front and side airbags for driver and front seat passenger. These are supplemental restraint systems which are used in conjunction with the seat belts to help protect the driver and front seat passenger from upper body and head injuries.

Curtain airbags are fitted to the sides of the vehicle for front and rear occupants head protection in the event of a side impact.

To provide maximum protection, airbags open with a great deal of force and this force can pose a potentially dangerous risk in some situations, particularly when a front seat occupant is not properly restrained with the seat belt.

Occupant Protection

Because airbags must inflate rapidly and with considerable force, there is the risk of death or serious injuries such as fractures, facial and eye injuries or internal injuries, particularly to occupants who are not properly restrained or sitting correctly at the time of the airbag deployment.

Airbags do not inflate slowly or gently and the risk of injury from a deploying airbag is greatest close to the trim covering the airbag.

The whole sequence of events from sensing the impact to full inflation of the bag takes place in a fraction of a second.

The driver's airbag is located in the centre of the steering wheel and the front seat passenger's airbag is located in the fascia panel immediately in front of the passenger seat.

The side airbags are fitted within the driver's and front passenger's seat outboard seat bolsters, and are identified by a label on the seat.

Curtain airbags are fitted above the doors, under the headlining. These deploy downwards to give protection to the heads of driver, front seat passenger and the outer rear seat occupants.

The driver's knee airbag is fitted to all four-wheel drive models. It is located in the panel below the steering column and will normally deploy at the same time as the driver's airbag.

The airbag warning light in the instrument cluster will be lit for approximately six seconds when the ignition is turned on. If the light remains on or flashes it indicates a fault within the airbag electrical circuits. Report the fault to a Jaguar Dealer/ Authorised Repairer immediately.

It is safe to drive the vehicle; however, in an accident the airbags may not operate.



WARNING:

- **No objects whatsoever should be attached to the centre cover of the steering wheel, the passenger fascia panel or the sides of the driver and front passenger seats. Do not put anything on or over the airbag inflation area. Placing objects on or over the airbag inflation area may cause those objects to be propelled by the airbag into your face and torso causing serious injury.**
- **Safety experts recommend a minimum distance of at least 254 mm (10 inches) between an occupant's chest and a front airbag.**
- **Children 12 years old and younger can be killed or seriously injured by the airbag. The rear seat is the safest place for children.**
- **Do not try to put an adult seat belt around two children.**
- **Several airbag system components get hot after inflation. Do not touch them after they have deployed.**

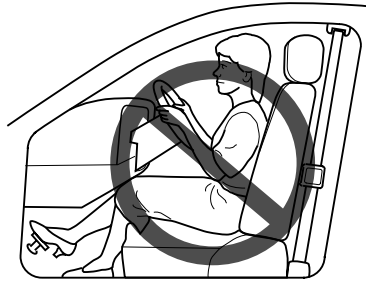
Occupant Protection

- **Child restraint anchorages are designed to withstand only those loads imposed by correctly fitted child restraints. Under no circumstances are they to be used for adult seat belts or for attaching other items or equipment to the vehicle.**
- **DO NOT install a rearward-facing child seat in the front passenger seat position. This is emphasised by the label displayed on the end of the fascia on the front passenger side, as shown on the illustration. If however, you must sit a child in the front passenger seat use only a forward-facing child seat with the passenger seat set fully rearward. Always follow the fitting instructions supplied with the appropriate child restraint system.**
- **Do not attach any objects whatsoever to the driver's knee airbag panel; it could cause injury in the event of a collision. Consult your Jaguar Dealer/Authorised Repairer before installing any accessories in the driver's fascia area (e.g. HANDS-FREE TELEPHONE KITS).**
- **To ensure that the side airbags are fully effective:
DO NOT sit too close to, or lean against the door trim. The side airbag could injure you as it deploys from the side of the seat.
DO NOT lean out of the window aperture.
Only use JAGUAR APPROVED accessories (e.g. seat covers).
Due to the function of the CURTAIN AIRBAG deployment, CONSULT your Jaguar Dealer/Authorised Repairer prior to installing any ACCESSORIES in the upper environment/pillar trim area (e.g. HANDS-FREE TELEPHONE KITS).**
- **If an airbag is inflated, the airbag will not function again and must be renewed immediately. If a new airbag is not fitted, the unrepaired area will increase the risk of injury in a collision.**

Airbag warning information is printed on the driver's and passenger's sunvisor. Airbag indicator light information is shown on page 50.

Occupant Protection

Seat positioning



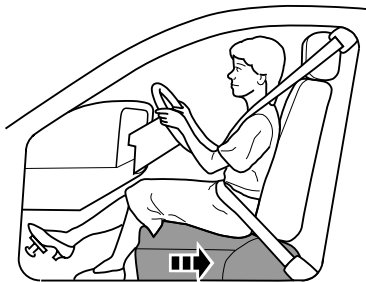
JOL2585

Wrong: Unbelted and too close.



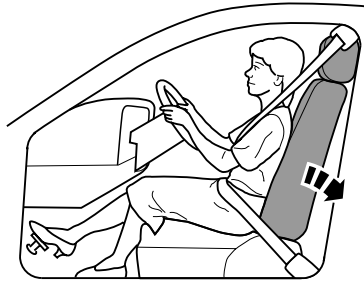
JOL2722

Use Seat Belts.



JOL2723

Move Seat Rearwards.



JOL2724

Recline Back of Seat.



JOL2725

Tilt Wheel Down/Forwards.



JOL2726

Correct: Belted and 254 mm (10 inches) or more away.

Occupant Protection

**WARNING:**

Driver and front seat passenger should always move their seats as far rearwards as is practical.

Ideally, drivers should sit with at least 254 mm (10 inches) between the centre of their breastbone and the cover of the steering wheel airbag.

Since the risk zone at the time of deployment is the first 54 mm - 75 mm (2 to 3 inches) from the airbag cover, sitting back 254 mm (10 inches) provides a clear margin of safety. Very few drivers are unable to achieve and maintain that safety gap.

The vast majority of drivers who do not now sit that far back can change their position and achieve that distance.

- Move your seat back as far as you can while still comfortably reaching the pedals.
- Recline the back of your seat a few degrees from the upright position. If reclining the back of your seat makes it hard to see the road, raise the seat.
- Tilt the steering wheel/column downwards so as to point the airbag at your chest instead of your head and neck. Adjust the steering wheel/column fore/aft so that it extends towards the driver as little as possible, ensuring that the airbag has plenty of room to deploy.

**WARNING:**

Do not attempt to service, repair or modify the airbag system or its fuses. All work on the airbag system, including renewal after deployment and renewal at the end of its service life, must be carried out by an authorised Jaguar Dealer/Authorised Repairer.

In the event of the vehicle being dismantled, airbag module removal and disposal **MUST** be made by a qualified person.

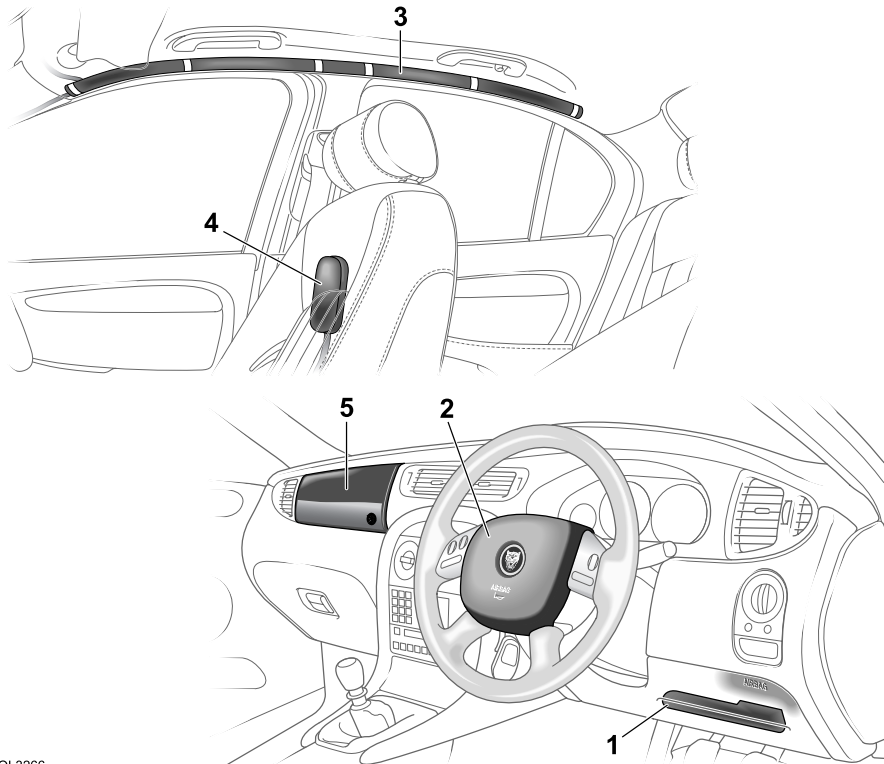
After airbag deployment, it is normal to notice a smoke-like, powdery residue or smell the burnt propellant. This may consist of cornstarch, talcum powder or sodium compounds that result from the combustion process that inflates the airbag.

Small amounts of other chemicals may be present which may irritate the skin and eyes, but none of the residue is toxic.

While the system is designed to help reduce serious injuries, it may also cause minor burns, abrasions, swelling or temporary hearing loss.

Occupant Protection

Airbags



JOL3266

Airbag location

1. Driver's knee airbag (where fitted).
2. Driver's airbag.
3. Curtain airbag (left-hand side and right-hand side).
4. Seat mounted side airbag (left-hand and right-hand front seats).
5. Front passenger airbag.

Front airbags

With a front impact of sufficient force, the restraints system will trigger the front airbag(s) and seat belt pretensioners.

Both front airbags (2 and 5, above) use dual inflation technology which means that if activated, the bag(s) will deploy at either a normal or reduced level of inflation, depending on crash severity. The lower level is also selected if the driver is close to the steering wheel.

Occupant Protection

The passenger seat is monitored by a seat weight sensor to determine the presence and weight of the front passenger.

In certain conditions, e.g. where no passenger is present, the appropriate airbags will be deactivated: in a collision these airbags would not be deployed.

Note: *Front airbags are designed to inflate in frontal and near frontal collisions, not low speed impacts, roll-over, side-impact or rear-impact.*

Driver's knee airbag

The driver's knee airbag (1, see previous page) provides an additional method of restraining the driver in the event of a frontal or near-frontal collision.

The driver's knee airbag is fitted to all four-wheel drive models. It is located in the panel below the steering column and will normally deploy at the same time as the driver's airbag.



WARNING:

- **The driver's knee airbag will not deploy if the driver's seat is near to its full forward position. Do not sit too close to the steering wheel (refer to page 51).**
- **Do not attach any objects whatsoever to the driver's knee airbag panel; it could cause injury in the event of a collision. Consult your Jaguar Dealer/Authorised Repairer before installing any accessories in the driver's fascia area (e.g. hands-free telephone kits).**

Occupancy sensing



JOL2588

The front passenger seat is equipped with an occupancy sensor. The sensor measures the weight on the cushion and changes the passenger airbag (5, see previous page) deployment status.

The occupancy sensor operates as follows:

Seat occupancy status	Passenger airbag status	Indicator light active
Completely empty	Deactivated	No*
Low weight occupant/object	Deactivated	Yes
Heavy occupant/object	Activated	No

*It is possible to receive an intermittent indicator light with an empty seat condition. This is part of the system's adaptive behaviour, and does not affect the status of the passenger airbag. However, if the indicator light becomes permanently illuminated when the seat is definitely empty, then contact your nearest Jaguar Dealer/Authorised Repairer immediately.

Occupant Protection

The airbag indicator light is located on the passenger fascia.

With the driver's and front passenger's airbag, the occupant, restrained by the seat belt, moves forward, the head and chest come into contact with the inflated bag. The airbags which then deflate rapidly, in a controlled manner, via vent holes, absorb the remaining energy of the impact.

If the airbags do not inflate in a collision it does not mean that something is wrong with the system; it means the forces of the impact were not of the type sufficient to cause activation. Front airbags are designed to inflate in frontal and near frontal collisions, not roll-over, side-impact or rear-impact.

In circumstances where the airbags are not deployed, protection is provided by the seat belts. The severity of the collision is a function of the relative speed and weight of the vehicles or objects colliding.

Thus, it is extremely important that occupants be properly restrained as far away from the airbag as possible while maintaining vehicle control.

Side protection

The side protection system utilizes four airbags: one mounted in each of the front seats (4, see page 49), and two curtain airbags located in the upper environment just above the door opening (3, see page 49).

When the seat mounted side airbag inflates upon a vehicle side impact, it breaks through the seat bolster stitching, protecting the side of the rib cage of the driver or front seat passenger.

When the curtain airbag inflates upon a vehicle side impact, it breaks through the headlining and deploys downwards, giving head protection to front and rear seat occupants.

The airbags, in combination with the seat belts, can help reduce the risk of severe injuries in the event of a significant side impact collision.

In certain lateral collisions, the airbags on the side affected by the collision will be inflated even if the respective seat is not occupied.

Seat mounted side and curtain airbags are designed to inflate in a side impact collision, not roll-over, rear-impact, frontal or near-frontal collisions, unless the collision causes sufficient lateral deceleration.

Child Safety

Introduction



Jaguar Cars Limited strongly recommends that at all times children should be carried in the rear seats.

WARNING:

- **Extreme Hazard! Do not use a rearward facing child restraint on a seat protected by an airbag in front of it!**
- **Children must be restrained by a child safety restraint that is suitable for their weight and size. We recommend that a Jaguar approved restraint is used.**

In many countries legislation governs how and where children should be carried when travelling in a vehicle. It is the responsibility of the driver to comply with all regulations in force in the country where the vehicle is being used.

WARNING:

It is important to read and understand all the information contained in this handbook relating to child safety before carrying a child in your vehicle.

If you are unsure about any aspect of this information, contact your Jaguar Dealer/Authorised Repairer.

Make sure you read this entire Child Safety section, which contains general advice about the use of child restraints.

- Pages 55 to 56 give specific information about installing a non-ISOFIX child restraint.
- Pages 57 to 60 give specific information about installing an ISOFIX child restraint.

***Note:** Currently, ISOFIX restraints can only be installed in Saloon models. They cannot be installed in Estate models.*

WARNING:

DO NOT install a rearward-facing child seat in the front passenger seat position since deployment of the passenger fascia airbag could cause death or serious injury to the child. This is emphasised by the label displayed on the end of the fascia on the front passenger side. If however, you have no alternative but to place a child in the front passenger seat, use only a forward-facing child seat with the passenger seat set fully rearward and in its lowest position. Always follow the fitting instructions supplied with the appropriate child restraint system.

Child Safety

Summary of the Law

In all countries there are regulations governing the use of restraint systems for children and babies. Infants and children must be seated in an approved safety device, which is suitable for the weight and size of the child. A child restraint must meet the regulations enforced in the country where it is used and the approval number and the weight category have to be clearly labelled on the seat.

Generally, the following law applies:

- Children under three years of age must be secured in an appropriate child restraint.
- Children aged 3 to 11 years and less than approx. 1.5 metres (5 ft) in height should be secured in an appropriate child restraint if available. Otherwise, the adult seat belt must be used.
- For children aged 12 or 13 years, or a younger child of approx. 1.5 metres (5 ft) or more in height, the adult seat belt must be used.
- In all three cases above, it is the responsibility of the Driver to ensure that the safety of children travelling with them is adequately provided for.
- From 14 years of age, all passengers should use the adult seat belts provided and it is their own responsibility to do so.

Caution: Failure to comply with the law could result in prosecution and could affect insurance cover. Remember the driver has responsibility for other passengers under 14 years and the careful stowage of luggage and loose items.

Holding a baby or child in a person's arms is **not** a substitute for a child restraint system. Do not use a seat belt to restrain more than one person.

In an accident, a baby or child held in a person's arms can be crushed between the vehicle's interior and a restrained person.

The child can also be injured by hitting the interior or by being thrown from the vehicle during a sudden manoeuvre or impact.

Injury can also be caused if the baby or child is allowed to ride on the seat unrestrained. Other occupants should also be properly restrained to help reduce the chance of injuring the child.

Do not allow children to stand in the space between the seats, or on the passenger seats.

Child Seat Selection

Before you buy a child seat, it is important to note that your child's weight, rather than age, determines the type of seat that is required.

Child safety seats are divided into five categories, by the weight range for which they are suitable. Refer to the table on page 55.

Jaguar recommends that a rear-facing seat with a harness is used for as long as your infant's development allows.

Do not use a forward-facing seat until your child is above the minimum weight of 9 kg (20 lb) and able to sit up unaided. Up to the age of two, a child's spine and neck are not sufficiently developed to avoid injury in a frontal impact.

Child Safety

Jaguar's recommended and approved Group 1 ISOFIX seat is the Britax Roemer 'Duo Plus' (refer to page 57). The Jaguar ISOFIX anchorage kit has to be installed by a Jaguar Dealer/Authorised Repairer, to enable the ISOFIX restraint to be fitted. Currently, the anchorage kit is only available for Saloon models.

When choosing a child seat, it is also important to consider how you plan to use it. For longer journeys, a reclining seat may offer added comfort and support for a sleeping child, while a light-weight design may be easier to lift in and out of the vehicle. It is also worth noting that some children are more suited to a harness-style seat than a booster seat during their toddler years.

Because child seats vary in shape, certain designs may be more stable when mounted on the outer rear seating positions, rather than in the centre. Always check that the child seat can be mounted securely in the required position: if in doubt, speak to your Jaguar Dealer/Authorised Repairer.

We strongly advise that you do not buy or use a second-hand child seat. The seat may have been used inappropriately, or involved in an accident. In such circumstances, the seat may not protect your child.

Infant safety

Babies and small children who cannot sit up by themselves should be carried in an approved rear facing infant carrier, which should always be installed in a rear seating position.

Child Safety

Child Seat Positioning

Suitability of each passenger seat position for the carriage of children up to 12 years of age (or 1.5 m tall) and the installation of child restraint systems.

Mass Group (with approximate age) as indicated on child restraint	Vehicle Seating Position		
	Front Passenger*	Rear Outboard	Rear Centre
0 = Up to 10 kg (22 lb) (birth to 10 months)	X	U	U
0+ = Up to 13 kg (28 lb) (birth to 18 months)	X	U	U
I = 9 to 18 kg (20 - 40 lb) (9 months to 5 years)	UF	U & L	U
II = 15 to 25 kg (33 - 55 lb) (4 to 7 years)	U	U	U
III = 22 to 36 kg (48 - 80 lb) (6 to 12 years)	U	U	U
<p>Key:</p> <p>U Suitable for 'Universal' category restraints approved for use in this mass group.</p> <p>UF Suitable for forward-facing 'Universal' category restraints approved for use in this mass group.</p> <p>L Suitable for particular 'vehicle specific' child restraint given below. These restraints may be of the 'specific-vehicle', 'restricted' or 'semi-universal' categories.</p> <p>X Seat position not suitable for child restraint in this mass group.</p> <p>Note: * When installing child restraints, Jaguar recommends that the front passenger seat be positioned fully rearward with the cushion adjusted to its lowest position. Also the backrest must be set as far forward as possible, or adapted to the child restraint, as required. The seat belt height adjustment should also be set to its lowest position. The safest place to transport children is the rear seat.</p> <p>Type L Child Restraint = Britax Roemer 'Duo Plus' ISOFIX Group 1 restraint - 'specific-vehicle' restraint approved by Jaguar Cars Limited (available for Saloon models only).</p>			

Securing child restraints with an adult seat belt

Always ensure that child restraint assemblies are fitted in strict accordance with the child restraint manufacturer's instructions. Keep the fitting instructions for future reference.

The following checks should always be carried out:

- Fit the child seat in the correct position and secure with the adult seat belt in accordance with the manufacturer's instructions. If necessary, remove the headrest to accommodate a larger child seat.

Child Safety

- Make sure the child seat is fitted firmly to the car seat. There should not be excessive forward or sideways movement.
- Regularly check and refit the child seat, to ensure there is no slack in the installation.
- The seat belt must not be twisted and the buckle must not rest on the child seat frame, as it may snap open in an accident.
- Never modify the seat, or install it differently to the instructions.
- Never modify the seat harness or buckles, as this may affect the quick release mechanism.
- Always secure your child correctly, even for the shortest journey.
- Follow the seat manufacturer's instructions for harness adjustments.

Always secure an unoccupied child seat safely. In an accident, an unsecured child seat may pose a risk to the vehicle's occupants.

Safe Use of Child Restraints

Ensure there is no slack in the webbing and the restraint fits the child snugly across the rib cage and hips. These are the parts of the body most able to take the force of an impact.

- Ensure the path and position of an integral harness across the shoulders is appropriate for your child's development - consult the manufacturer's instructions.
- The lap strap should pass across the top of the child's thighs, bearing on the pelvis, not the abdominal area.
- Adjust the harness every time, so that one or two fingers only can be inserted between the child and harness. Different clothing on a child can make a difference to the correct fitting of the harness.
- Make sure the harness webbing is not twisted.
- Regularly check the fit of your child seat and replace seats or harnesses that show signs of wear.
- Ensure that you have removed all slack from the adult seat belt.
- No child seat is completely child-proof. Encourage your child not to play with the buckle or harness.
- Never leave a child unsupervised in the vehicle.
- Activate the rear door child safety locks (see page 36).

Booster seats

If a booster seat is used, position the lap section of the adult seat belt over the child's pelvis. The diagonal seat belt should rest on the child's shoulder, not the neck.

Non-ISOFIX Check List

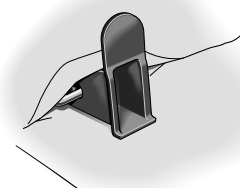
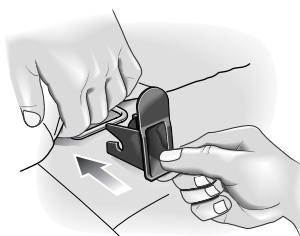
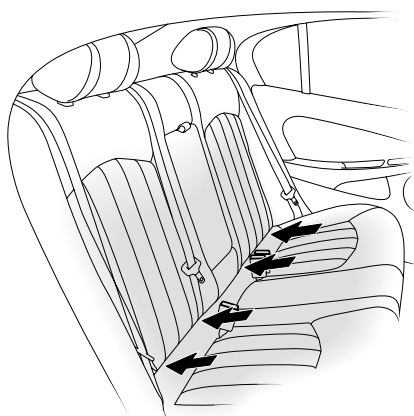
Follow the check list each time your child travels in the vehicle:

- Carefully follow the instructions provided by the manufacturer of the restraint system.
- Always use the appropriate child restraints and adjust harnesses for every child, every trip.
- Avoid dressing your child in bulky clothing and do not place any objects between the child and the restraint system.
- Regularly check the fit of your child seat and replace seats or harnesses that show signs of wear.
- Ensure that you have removed all slack from the adult seat belt.
- No child seat is completely child-proof. Encourage your child not to play with the buckle or harness.
- Never leave a child unsupervised in the vehicle.
- Activate the rear door child safety locks (see page 36).

Child Safety

- Ensure your child does not exit the vehicle from the side where there is traffic.
- Set your child a good example - always wear your seat belt.

ISOFIX Child Restraints (Saloon models only)



JOL2592

Only the Britax Roemer 'Duo Plus' ISOFIX restraint is approved by Jaguar for use with this system. An ISOFIX anchorage kit must be fitted to your vehicle before the ISOFIX seat can be installed.

These brackets must be supplied and fitted by your Jaguar Dealer/Authorised Repairer. The ISOFIX anchorage kit and the ISOFIX seat cannot be installed in Estate models.

The ISOFIX system allows an ISOFIX child seat to be secured directly and easily to the vehicle body without the use of adult seat belts.

Many injuries to children in accidents are caused by the incorrect fitting and tensioning of the adult seat belts, which are normally used to secure child seats. The ISOFIX system reduces the likelihood of incorrect fitting and is also quicker and simpler to use.

The ISOFIX system uses two anchorage loops and a top tether bracket fixed to the vehicle body. The ISOFIX child seat has two retractable lower catches that lock onto the anchorage loops and a strap that clips onto the top tether bracket.

The child seat has a quick release mechanism to allow it to be removed easily.

The anchorage loops are accessible through the gap between the rear seat back and cushion for both outer seat positions. Removable plastic guides are supplied with the ISOFIX seat to allow the seat to be fitted easily.

Note: To ensure the ISOFIX child seat is installed safely, read all the information provided on pages 57 to 60.

Child Safety

Fitting the ISOFIX plastic guides

The seat anchorage loops (which must be supplied and fitted by a Jaguar Dealer/ Authorised Repairer) are attached to the panel immediately behind the rear seats in the gap between the seat cushion and seat back (see previous illustration).

Open up the gap between the seat cushion and seat back to expose an anchorage loop. Locate the cut-outs at the rear of the guide onto the anchorage loop and push the guide fully in until it clips in place on the anchorage loop.

Fit the second guide.

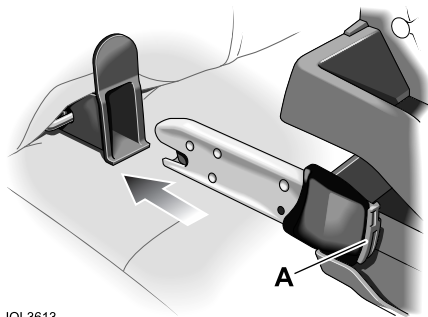
The plastic guides make it easier to fit the child seat and avoid damage to the vehicle's seat covers. If correctly fitted, the guides will normally remain in place when the child seat is removed.

Pull out the guides to remove.

The plastic guides must be removed before folding down the seat backs.

Always ensure the child seat anchorage legs and the vehicle anchorage loops are kept clean and free of dirt.

Installing the ISOFIX seat



JOL3613

Caution: Always follow the manufacturer's instructions supplied with the ISOFIX child seat.

The following is to be considered only as a guide.

1. ISOFIX seats can only be installed in the rear outboard seating positions.
2. Make sure the adult seat belts and buckles do not become trapped behind the child seat.
3. Make sure there is nothing obstructing the seat mounting mechanism at the anchorage points.
4. Release the green lever on the rear of the seat and fully extend the two attachment legs on the child seat. Ensure the hook at the end of each leg is open.
5. Position the attachment legs just in front of the plastic guides (see illustration on this page). Press in the green locking button (A) on one of the anchorage legs and push the anchorage leg through the plastic guide to engage with the vehicle's anchorage loop. There should be an audible 'click'.
6. Repeat Step 5. for the seat's second anchorage leg.
7. Using firm and even pressure on both sides, push the child seat rearwards until it is secured firmly against the vehicle seat back. Make sure you do NOT trap the top tether strap behind the child seat.
8. Attach the top tether (refer to page 59).
9. As a final check, firmly pull both sides of the seat to confirm that it is correctly locked in position.

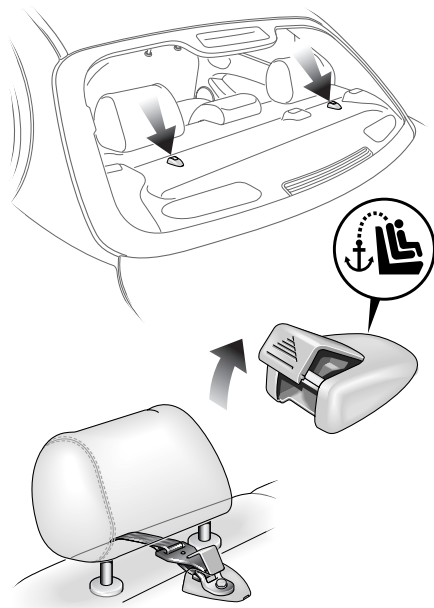
Child Safety



WARNING:

The top tether must always be used to secure the ISOFIX child seat.

Child restraint top tether anchorages and brackets



JOL2594

The top of the child seat is connected by a short strap to the top tether bracket to prevent the seat from rotating about the lower anchorages. The top tether brackets are positioned on the rear parcel shelf, under access covers, at the centre-line of the outboard rear seating positions.

Pass the top tether strap under the vehicle rear head restraint to connect to the top tether bracket on the parcel shelf. Adjust the length of the top tether strap to hold the top of the child seat against the vehicle seat back.

Make sure the child seat is securely fitted, and follow the ISOFIX check list.



WARNING:

Child restraint anchorages are designed to withstand only those loads imposed by correctly fitted child restraints. Under no circumstances are they to be used for adult seat belts or for attaching other items or equipment to the vehicle.

Australia only: Australian vehicles are fitted with three top tether brackets as standard. Before the ISOFIX child seat can be used, it will still be necessary for your Jaguar Dealer to fit the ISOFIX lower anchorage loops. The ISOFIX child seat cannot be fitted in the central seat position.

Removing the ISOFIX seat

To remove the ISOFIX child seat, undo the top tether strap. Press the green locking button on each side of the seat to release the anchorage legs and lift the child seat from the vehicle.

Child Safety

ISOFIX Check List



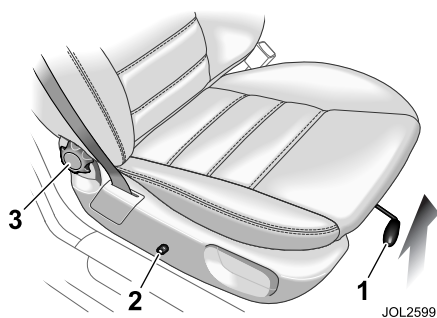
JOL2596

Follow the check list each time your child travels in the vehicle:

- Regularly check the fit of your child seat and replace seats or harnesses that show signs of wear.
 - No child seat is completely child-proof. Encourage your child not to play with the buckle or harness.
 - Never leave a child unsupervised in the vehicle.
 - Activate the rear door child safety locks (see page 36).
 - Ensure your child does not exit the vehicle from the side where there is traffic.
 - Set your child a good example - always wear your seat belt.
- **Always attach the top tether when installing the ISOFIX seat.**
 - Carefully follow the instructions supplied with the child seat.
 - Always give the ISOFIX seat a final pull to ensure the lower anchors are secure, even if the green buttons indicate that the seat connectors are latched.
 - Always use the appropriate child restraints and adjust harnesses for every child, every trip.
 - Make sure your child falls into the correct weight range for the seat (9 - 18 kg [20 - 40 lb]).
 - Avoid dressing your child in bulky clothing and do not place any objects between the child and the restraint system.

Seats

Manual Seat Adjustment

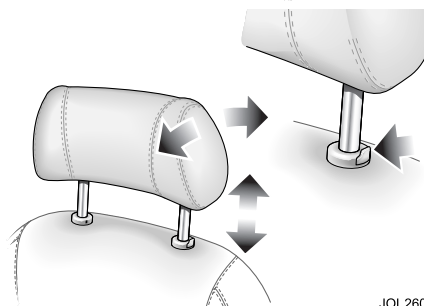


Forward and rearward: Each front seat can be adjusted forward and rearward by lifting the locking bar (1), situated below the front of the seat cushion and sliding the seat to the required position. After releasing the locking bar, slight additional seat movement may be necessary to engage the locking mechanism.

Height adjustment: The driver's seat has a switch (2) to adjust the seat for height. The whole seat cushion will raise or lower by moving the switch up or down.

Back adjustment: To alter the angle of the front seat squab, lean forward slightly to relieve body pressure from the seat back and rotate the handwheel (3) in the required direction.

Head Restraints



WARNING:

Adjust the head restraint so that it is just behind your head and never behind your neck.

Each front head restraint can be adjusted to give the correct height for the seat occupant. They may also be manually tilted.

To lower: Press the lever in the escutcheon and push the head restraint into the seat back to the required height.

To raise: Pull the head restraint upwards.

Rear centre head restraint (Where fitted)

The rear centre head restraint has two positions only. It can be stowed within the seat back when not in use and should be extended when an occupant is in the centre seat.

Seats

Electrical Seat Adjustment

(Where fitted)



WARNING:

- Do not make adjustments when the vehicle is moving.
- Front passengers must not ride with the seat fully reclined.

Depending upon the vehicle specification, seats have manual and/or electrical adjustment.

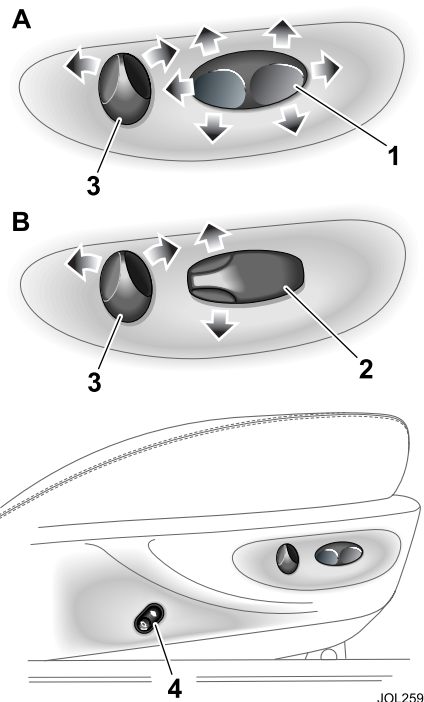
A key does not have to be in the ignition switch for seat adjustment.

Front Seat Controls

There are two different types of switch for controlling the seat base, **A** (10-way adjustment) or **B** (4-way adjustment).

1. Controls the seat position. To move the seat forward or rearward - move the switch forwards or rearwards. Front/rear of cushion raise/lower - move the front or rear of the switch up or down. If both front and rear are raised or lowered together, the whole seat cushion will raise or lower.
2. Controls the seat height. Pull the switch up or down to raise or lower the seat.
3. Controls the seat back angle. Move the switch rearwards to recline or forwards to raise the seat back angle.

If the seat has 10-way adjustment, switch (4) adjusts lumbar support. Press the top of the switch to increase lumbar support, press the bottom of the switch to decrease lumbar support.



JOL2597

Passenger Seat

If the passenger seat has two-way electrical adjustment, it will be fitted with switch (4). This adjusts the passenger seat back angle.

The passenger seat can be moved fore and aft manually by lifting the locking bar under the front edge of the seat, refer to the illustration on page 61.

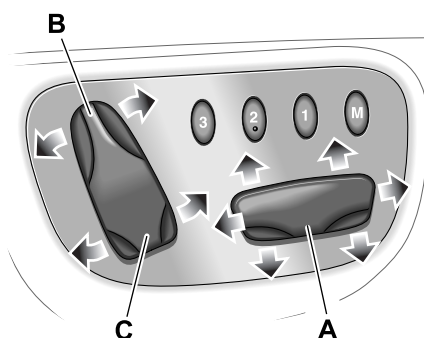
Seats

Driver's Seat Memory

This facility allows the positions of the driver's seat and door rear view mirrors to be memorised and recalled for different occupants.

Up to three settings can be stored. The switch pack is located towards the front of the driver's seat base, next to the driver's door (as shown in the illustration on page 62).

Setting a memorised position



JOL3360

- A.** Controls the seat position. To move the seat forward or rearward - move the switch forwards or rearwards. Front/rear of cushion raise/lower - move the front or rear of the switch up or down. If both front and rear are raised or lowered together, the whole seat cushion will rise or fall.
- B.** Controls the seat back angle. Tilt the top of the switch rearwards or forwards to recline or raise the seat back angle.
- C.** Controls the lumbar support (where fitted). Push the bottom of the switch rearwards or forwards to increase or decrease lumbar support.

To store a driving position in the memory:

1. Adjust the seat and door mirrors to the desired positions.
2. Push the memory button '**M**' (see previous illustration). A chime will sound.
3. Within 5 seconds of pushing the '**M**' button, push button '**1**', '**2**' or '**3**' to memorise the configuration. A double chime will sound, and, if the ignition is ON, a message will be displayed in the message centre to indicate that the procedure was successful.

By repeating these three steps and pressing the unused buttons, two more driving positions can be stored in the memory.

To set a new driving position, adjust the driver's seat and door mirrors and perform steps 2 and 3. The previous memory will be erased and the new position will be stored.

Note: Button '**M**' is concave, and there is a raised point on button '**2**'. This allows the buttons to be identified by touch.

Seats

Recalling a memorised position

Ensure the gear selector lever is in position 'P' and the handbrake is on.

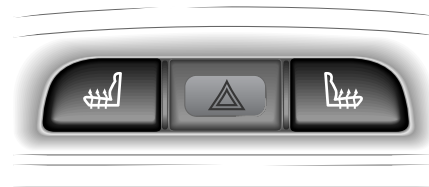
Press and release the appropriate memory button ('1', '2' or '3'). The seat and door mirrors will move automatically to the memorised position.

If the door mirror or seat position switches are operated whilst the seat and door mirrors are repositioning, the process will be cancelled. Press the memory button again to resume.

Note: The memory function will only operate if:

- The handbrake is on (manual transmission only).
- Automatic transmission is set to 'P'.

Front Seat Heaters (Where fitted)



JOL2602

Each front seat back and cushion has a heater controlled by a switch on the centre console.

With the ignition switch in position 'II', press the switch to turn the heaters on.

The first press will heat the seat to a high temperature setting, a second press will heat the seat to a lower setting.

A third press will turn the seat heater off.

A light within the switch will show when the heater is ON, red for the high heat setting and yellow for the lower setting.

The heater will automatically switch OFF:

- After it has been on for 10 minutes.
- If the ignition is turned OFF.
- If a fault is detected.

The heater will maintain a preset temperature while it is switched on.

Storage of the vehicle in a heated garage, body heat or warm ambient temperatures may prevent operation of the seat heater.

Clock

Clock Adjustment

The position of the digital clock depends on the equipment fitted to the vehicle.

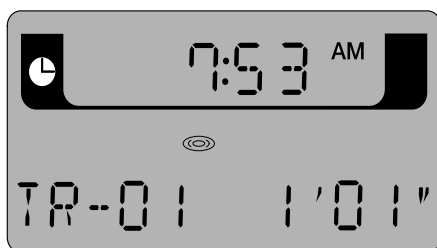
If a touch-screen is fitted to the vehicle, the clock will be incorporated in the touch-screen display.

If the vehicle is not equipped with a touch-screen, the clock is included in the audio display.

Note:

- For more information concerning the operation of the audio system controls, refer to the audio systems handbook.
- For more information concerning the operation of the touch-screen, refer to the Jaguar Touch-screen Handbook.

Vehicles without touch-screen



JOL2486

If the vehicle is not fitted with a touch-screen, adjust the clock using the audio system controls as follows:

1. Press and hold **MODE** until **TA VOLUME** is displayed.
2. Repeatedly press **MODE** until **CLOCK SET** is displayed.
3. To select 12 or 24 hour format, press the seek up/seek down keys.
4. Press **MODE** to continue.

5. If 12 hour is selected, use # to denote AM or PM.
6. Use the key pad to enter the time in four digit format.
7. To exit, press and hold **MODE** until the display reverts to audio mode.

Vehicles with touch-screen



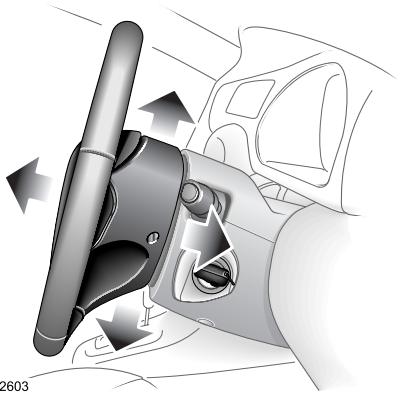
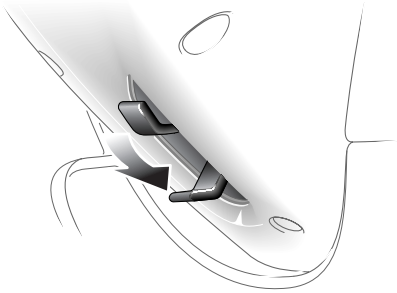
JOL2487

If the vehicle is fitted with a touch-screen, the clock is adjusted as follows:

1. Press the **MENU** button on the touch-screen control panel. The system menu screen will be displayed.
2. Touch the **System Setup** button on the **MENU** screen.
3. Touch the **Set Clock** button on the **SYSTEM SETUP** screen.
4. Clock adjustment is made by touching the hour or minute, up or down arrow buttons.
5. Touch the **12/24** button to select twelve or twenty-four hour display.
6. Confirm your setting by touching **Set**.

Steering Column

Column Release Lever



JOL2603

**WARNING:**

Do not adjust the steering column whilst driving.

The steering column can be adjusted for reach and height.

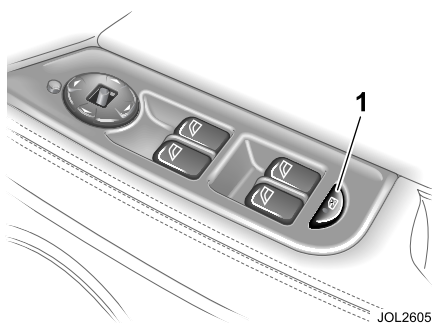
Holding the steering wheel, push the release lever fully downwards.

Move the steering wheel up or down and in or out as required, for a comfortable, safe driving position.

After adjustment, fully raise the lever to lock the steering wheel in position.

Door Windows

Window Switches



Front windows on all models are electrically operated. Depending on the model, rear windows can be either manually or electrically operated.

Electric Window Operation

Switches on the driver's door switch pack control the driver and passenger door windows.

The passengers are provided with a switch to control their door window only.

These switches will only operate the window when the ignition switch is in position 'II'.

If rear electrically operated windows are fitted, button (1) immobilises the rear window switches preventing passengers from operating their windows. The button integral red light will be lit when the rear windows cannot be operated by the rear seat passengers.

Note: If a resonance (booming sound) occurs with the rear windows open, lower the front windows about 15 mm (0.5 inches). This will eliminate the noise, by altering the frequency of the air moving in and out of the vehicle.



WARNING:

- When raising windows ensure all occupants are clear.
- When leaving the vehicle take the ignition keys to prevent misuse of the window switches by remaining occupants, especially children.

Operation

To lower a window, press down the switch to its first position and hold until the desired position is reached, then release.

To close a window, pull the switch upwards to its first position and hold until the desired position is reached, then release.

If the switches are held for longer than 6 seconds, for example, when attempting to overcome frozen or jammed windows, the window drive will be switched off for a few seconds to protect the window drive motors.

One-touch operation

Each window has a 'one-touch' facility enabling the occupant to fully open or close the window in one quick movement. Pulling, or pressing, the switch to its second position and quickly releasing will close or open the window in one movement. Window travel can be stopped at any time by pressing the switch again.

Door Windows

Window Anti-trap Feature

Each electrically operated window has an anti-trap feature. If the upward movement of the window detects an obstacle the anti-trap feature will immediately stop the window closing, then move it downwards for a short distance.



WARNING:

If the battery is disconnected or discharged the window anti-trap feature is lost. When the battery is reconnected or recharged the window anti-trap feature must be reset.

Resetting the electrically operated windows anti-trap feature

- Fully close the window, hold the switch in the close position for two seconds and then release the switch. Wait for two seconds, do not open the window.
- Again, select the same window to close, holding the switch for a further two seconds.
- Check to confirm the operation by opening the window and then use one touch operation to close the window.
- Repeat for the remaining electrically operated windows.

Overriding the anti-trap protection

The anti-trap system will also stop the window closing if a blockage or resistance occurs e.g. in the window guide channels. Typically this might be due to icing in winter but could also be caused by damage or misalignment of the guide channels or seals.

To override the anti-trap action:

- After the initial attempt to close the window, operate the close switch a second time.
- When the window has reversed from the blockage, operate the switch (within 10 seconds) until the window stops again (it will not reverse on the third attempt).
- Immediately operate the close switch again. The window will now move up a short distance with increased force to override the blockage.
- Repeat the override action until the window has closed. Each time the window stops, the switch must be operated immediately to initiate further override action.

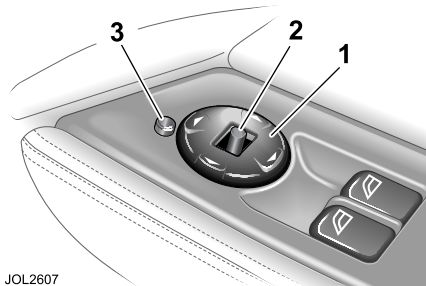
If this procedure fails to move the blockage, the anti-trap feature will be lost and must be reset (see first column) after the blockage has been cleared.

Thermal overload

If the windows are repeatedly opened and closed (e.g. by a child), a protection system will deactivate window operation for a short period to avoid overheating of the window motors.

Mirrors

Door Rear View Mirrors



JOL2607

Both door mirrors are adjusted from the driver's door switchpack. The four-way adjustment button (1) moves the mirrors to the required position. The selector switch (2) selects the mirror to be moved, left for the left-hand side mirror and right for the right-hand side mirror. When the selector switch is in the centre position, adjustment to either mirror is inhibited.

Each mirror housing, except the power fold back door mirror, is designed to pivot against the vehicle upon impact.

To return the mirror to its normal position, reposition the housing until it locks into place.

Mirror heating

The door mirrors have heating elements which work when the rear screen heater is switched ON. The mirror heater will clear all ice from the mirror surface.

Caution: Do not use a scraper to remove ice from the mirrors as this will damage the surface.

Power fold back (Where fitted)

To assist parking by reducing the overall vehicle width, the door mirrors can be folded inwards.

The button (3) is located in the driver's door window switchpack and will operate the mirrors when the ignition switch is in any position except OFF.

To fold the mirrors inwards press the button. A second press of the button returns the mirrors to their normal driving position.

Note:

- *If the button is pressed repeatedly, a thermal cut-out will prevent damage to the vehicle's electronics. If this occurs, wait for five minutes for the cut-out to reset, before operating the button.*
- *If the thermal cut-out operates and leaves the mirrors in the folded position, the mirrors can be folded outwards manually.*
- *If the door mirrors are repositioned manually (or are knocked out of position), the mirror head will be loose. To re-engage the mechanism, power the mirror to the foldback position, then outwards to the drive position.*

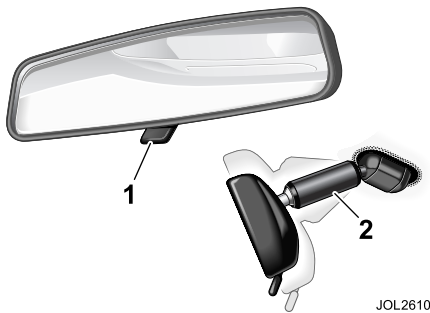


WARNING:

Do not drive the vehicle with the door mirrors in the folded position, except when parking.

Mirrors

Interior Rear View Mirror



JOL2610

Interior mirrors are either manual dip or electrochromic.

Manual dip mirror

The interior rear view mirror can be dipped to prevent glare from a following vehicle's headlights by pulling lever (1). Pushing the lever returns the mirror to its daytime setting.

Adjusting the mirror - The mirror is mounted on an adjustable arm (2) which can be angled to vary mirror height and lateral position.

Hold the arm and move to the desired position and then readjust the mirror itself.

Interior rear view mirror - electrochromic



JOL2611

Push the switch in and the electrochromic rear view mirror darkens automatically to prevent glare from a following vehicle's headlights. The mirror clears when light levels return to normal. The mirror also clears when reverse gear is selected.

Push the switch again and the glare-reducing effect of the mirror is switched off so that a clear reflection is given.

Note:

- Should a mirror assembly become detached from the windscreen, it must be refitted by a Jaguar Dealer/ Authorised Repairer.
- Ensure that the windscreen in front of the mirror is kept clean. Where fitted, the moisture sensor for wiper operation is located to the front of the mirror casing. Any dirt may affect the operation of this sensor.

Luggage Compartment

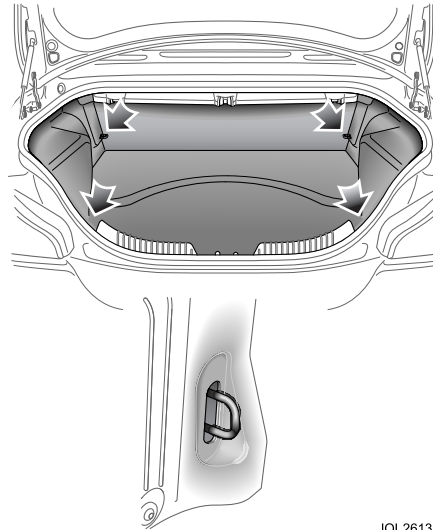
Loading the Vehicle



WARNING:

- Locate heavy loads in the luggage compartment towards the front of the vehicle and secure them to stop them sliding. Loose items can be a hazard.
- Do not drive with the luggage compartment lid or tailgate open as exhaust fumes can be drawn into the passenger compartment.

Luggage Tie-down Loops - Saloon



JOL2613

Four metal loops are positioned in the luggage compartment for attaching straps to secure loads and prevent them from sliding over the luggage floor.

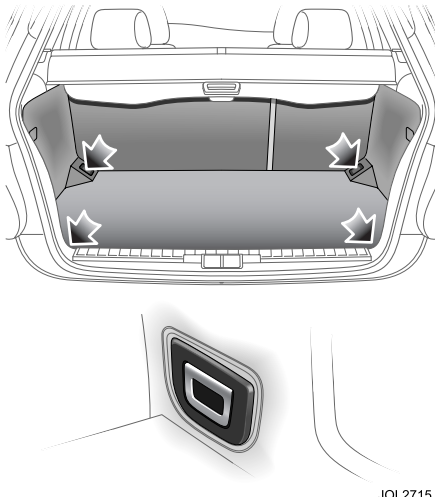
These loops are not to be used for securing passengers or animals nor as anchorages for child restraints.

A range of Jaguar storage accessories, including a luggage retaining net, is available from your Dealer.

It is advisable to distribute luggage weight evenly over the entire luggage floor area, particularly to prevent permanent damage to the seat trim when a seat has been folded down.

Luggage Compartment

Luggage Tie-down Loops - Estate



JOL2715

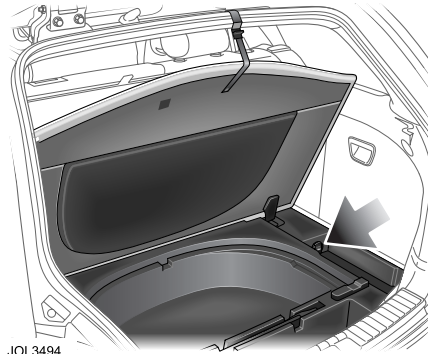
Four metal loops are positioned in the luggage compartment for attaching straps to secure loads and prevent them from sliding over the luggage floor.

The loops are hinged, and fold flat when not required. These loops are not to be used for securing passengers or animals nor as anchorages for child restraints.

A range of Jaguar storage accessories, including a luggage retaining net, is available.

It is advisable to distribute luggage weight evenly over the entire luggage floor area, particularly to prevent permanent damage to the seat trim when a seat has been folded down.

Underfloor Storage - Estate



JOL3494

There is an underfloor storage tray located below the floor panel. Lift the floor panel (there is a handle on the rear edge) to access the storage tray.

The floor panel is fitted with a retaining strap, which can be hooked over the top lip of the luggage compartment opening. This holds the floor panel out of the way when accessing the storage tray.

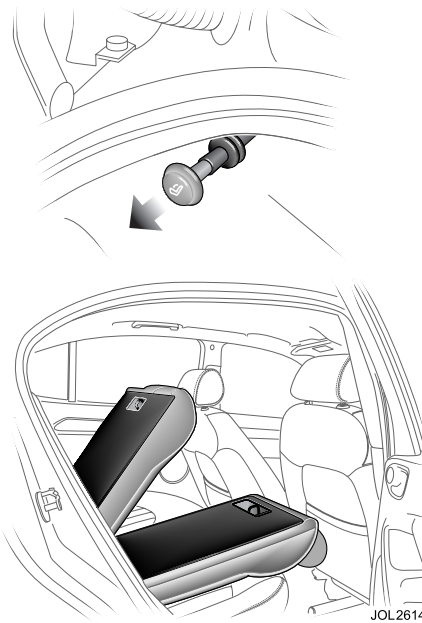
The hook on the end of the retaining strap is attached to the underside of the floor panel with velcro, when not in use.

A 12 volt accessory socket is arrowed in the illustration above. Refer to page 187 for more information.

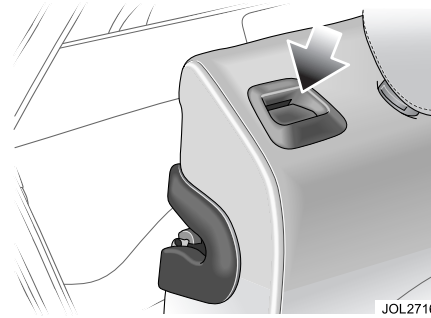
Luggage Compartment

Rear Seat Back Fold Down (Where fitted)

To provide a longer luggage compartment area, the backs of the rear seat can be folded down in two parts to give a 70/30 width split.



Saloon: Release handles for each seat back are in the luggage compartment under the parcel shelf. Pull the handle to release the seat back.



Estate: Release catches are located on the top of each seat back. Press the catch to release the seat back.

Once the seat back is released, fold it onto the seat cushion.

When folding the seat back, ensure that the armrest is stowed and that there is sufficient clearance between the seat back (including the head restraint) and the back of the front seat.

When returning the seat back to the upright position, ensure that the seat belts are routed correctly and are not trapped by the seat back. Press the seat back firmly and check that it is locked securely into place.

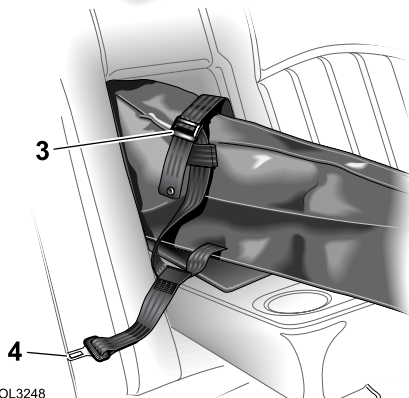
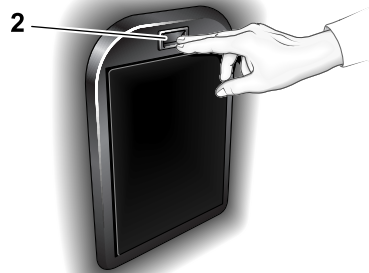
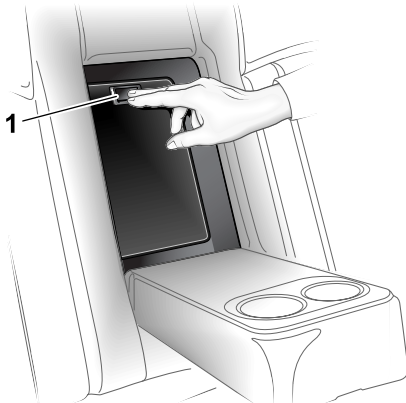
Note: There is a red indicator to the rear of each release catch, which is only visible when the seat is unlatched.

When returning the seat back to the upright position, ensure the catches lock correctly: when locked, the red indicator on each catch is obscured.

Caution: There is an interlock between the centre seat belt and the seat latch: if the catches are not locked correctly, the centre seat belt will not operate.

Luggage Compartment

Ski Hatch (Where fitted)



JOL3248

A two-door hatch is fitted to the rear seat of some Saloon models. When open, this gives a space for skis or similar objects to be stowed in the vehicle. Both doors have a single catch.

The inner door is accessible after folding down the armrest. To open the door, press the catch (1) downwards and gently lower the door on to the armrest.

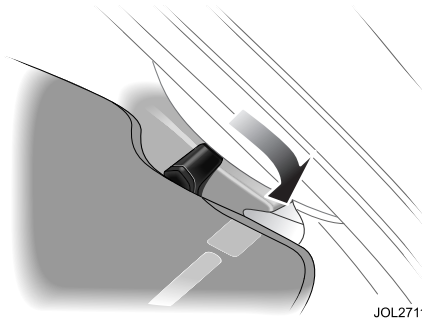
A bag for retaining the skis can now be pulled from the receptacle into the passenger compartment, and the strap (3) loosened ready to accept the skis.

The other door is accessible from inside the luggage compartment and is opened by pushing the catch (2) and lowering the door.

Push the skis into the bag from the luggage compartment and then secure the skis using the strap provided on the bag. Clip the strap connector (4) to the centre rear seat belt buckle.

Luggage Compartment

Estate Luggage Cover



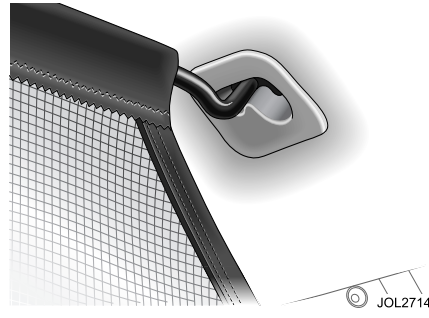
JOL2711

The luggage cover can be extended to hide the contents of the luggage compartment. The cover retracts into the housing when not required.

To extend the luggage cover, pull the handle towards you. There is a lug on either side of the luggage cover: slide the lugs into the catches on either side of the rear of the luggage compartment.

To retract the luggage cover, grab the handle and lift the lugs out of the catches. Gently allow the cover to retract into the housing.

Luggage load net



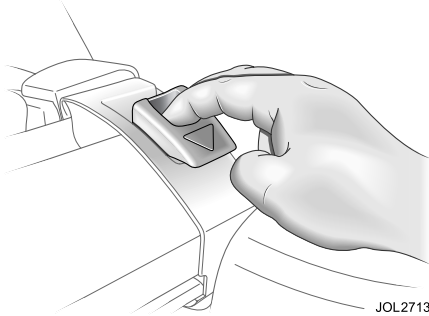
© JOL2714

A luggage load net is fitted to some luggage cover housings. This can reduce the risk of luggage being thrown forward in the event of an accident, or under heavy braking. The load net can be retracted into the housing when not required.

When raising the net, it is easiest to reach it from the rear seat. Lift the net, and hook the catches on either end into the fittings in the roof. To retract the net, unhook the catches and lower the net into the housing.

Luggage Compartment

Removing the luggage cover



Caution: Care should be taken to avoid damaging the interior trim when removing the luggage cover.

- Retract the luggage cover (and luggage load net, where fitted) into the housing.
- Release the two catches on either end of the luggage cover housing (see above).
- Lift the housing slightly, until it is clear of the trim on either side of the luggage compartment.
- Rotate one end of the luggage cover towards you, and carefully guide the cover out of the car. Keep an eye on both ends of the cover and avoid contact between the luggage cover and the luggage compartment trim.

Alternatively, the luggage cover can also be removed through the rear passenger doors:

- Retract the luggage cover (and luggage load net, where fitted) into the housing.
- Fold down both sections of the rear seat (refer to page 73).

- Release the two catches on either end of the luggage cover housing.
- Lift the housing slightly, until it is clear of the trim on either side of the luggage compartment.
- Rotate one end of the luggage cover towards you, and carefully guide the cover out through the rear passenger door.

Refitting the luggage cover

To refit the luggage cover, manoeuvre it into place without resting it on the side trim of the luggage compartment. Make sure the luggage cover is locked securely in place, with both of the catches properly engaged.

Note: *There is a green indicator on each of the luggage cover catches, which indicate that the catches are securely locked. Ensure the indicator on each catch is visible once the luggage cover has been refitted.*