



BY APPOINTMENT TO  
HER MAJESTY QUEEN ELIZABETH II  
MANUFACTURERS OF DAIMLER AND JAGUAR CARS  
JAGUAR CARS LIMITED COVENTRY



BY APPOINTMENT TO  
HER MAJESTY QUEEN ELIZABETH  
THE QUEEN MOTHER  
MANUFACTURERS OF DAIMLER AND JAGUAR CARS  
JAGUAR CARS LIMITED COVENTRY



BY APPOINTMENT TO  
HIS ROYAL HIGHNESS THE PRINCE OF WALES  
MANUFACTURERS OF DAIMLER AND JAGUAR CARS  
JAGUAR CARS LIMITED COVENTRY

# X-TYPE

## OWNER'S HANDBOOK

Publication Part No. **JJM 10 02 20/452**

Published April 2004 by Technical Communications, **Jaguar Cars Limited**

**JAGUAR CARS LIMITED**, as manufacturer, is dedicated to the design and production of vehicles which meet the expectations of the world's most discerning purchasers.

This handbook forms part of the owner literature supplied with your vehicle. It is designed to complement the relevant features and systems of the vehicle, and make them easy to understand and operate.

The information contained in this handbook applies to a range of vehicles and not to a specific vehicle. For the specification of a particular vehicle, owners should consult their Jaguar Dealer.

The manufacturer reserves the right to vary its specifications with or without notice, and at such times and in such manner as it thinks fit. Major as well as minor changes may be involved in accordance with the Manufacturer's policy of constant product improvement.

To cover changes, it is sometimes necessary to issue one or more handbook supplements. When reading this handbook, check the owner literature for possible supplements.

For full details of the owner literature originally supplied with the vehicle, owners should consult their Jaguar Dealer.

All rights reserved. No part of this publication may be reproduced, stored in a retrieval system or transmitted, in any form, electronic, mechanical, photocopying, recording or other means without prior written permission from the Service Division of Jaguar Cars Limited.



This book is printed on paper that originates from sustainable forests, is recyclable, bio-degradable and acid-free. The wood pulp is chlorine-free and the effluent water is purified before being discharged.

## Handbook Contents

<b>Quick Overview</b>	
Quick Overview . . . . .	7
Filling Station Information . . . . .	18
<b>Owner Information</b>	
General Information . . . . .	23
<b>Security and Locks</b>	
Ignition Switch . . . . .	31
Vehicle Security . . . . .	32
Door Locks . . . . .	35
Luggage Compartment Locks . . . . .	39
Alarm Systems . . . . .	40
<b>Before Driving</b>	
Occupant Protection . . . . .	45
Child Safety . . . . .	57
Seats . . . . .	67
Clock . . . . .	71
Steering Column . . . . .	72
Door Windows . . . . .	73
Mirrors . . . . .	75
Luggage Compartment . . . . .	77
<b>On the Road</b>	
Instruments . . . . .	85
Warning Lights . . . . .	87
Audible Warnings . . . . .	92
Message Centre . . . . .	93
Trip Computer . . . . .	96
Cruise (Speed) Control . . . . .	99
Exterior Lighting . . . . .	101
Interior Lighting . . . . .	105
Parking Assist . . . . .	107
Horn . . . . .	110
Sunroof . . . . .	111
Wipers and Washers . . . . .	112
Handbrake . . . . .	115
Interior Features . . . . .	116
Engine Starting . . . . .	119
Transmission . . . . .	121
Braking System . . . . .	125
Traction Control . . . . .	127
Stability Control . . . . .	128
Driving Information . . . . .	129
Fuel and Refuelling . . . . .	134
<b>Climate Control</b>	
Climate Control . . . . .	141
Manual Climate Control . . . . .	144
Automatic Climate Control . . . . .	147
<b>Roadside Emergency</b>	
Inertia Switch . . . . .	153
Emergency Starting . . . . .	154
Wheel Changing . . . . .	156
Vehicle Recovery . . . . .	160
Bulb Renewal . . . . .	163
Fuses . . . . .	168
Fire Extinguisher . . . . .	176
<b>Maintenance</b>	
General Maintenance . . . . .	179
Bonnet Release . . . . .	180
Regular Checks . . . . .	181
Checking and Top-up . . . . .	184
Battery . . . . .	189
Wiper Blades . . . . .	193
Tyres . . . . .	194
Vehicle Care . . . . .	197
Electrical Accessories . . . . .	200
<b>Specifications</b>	
Engine Data . . . . .	203
Weights . . . . .	204
Load Weights . . . . .	207
Dimensions . . . . .	208
Wheels and Tyres . . . . .	209
Fuel Consumption . . . . .	210

L



JAGUAR

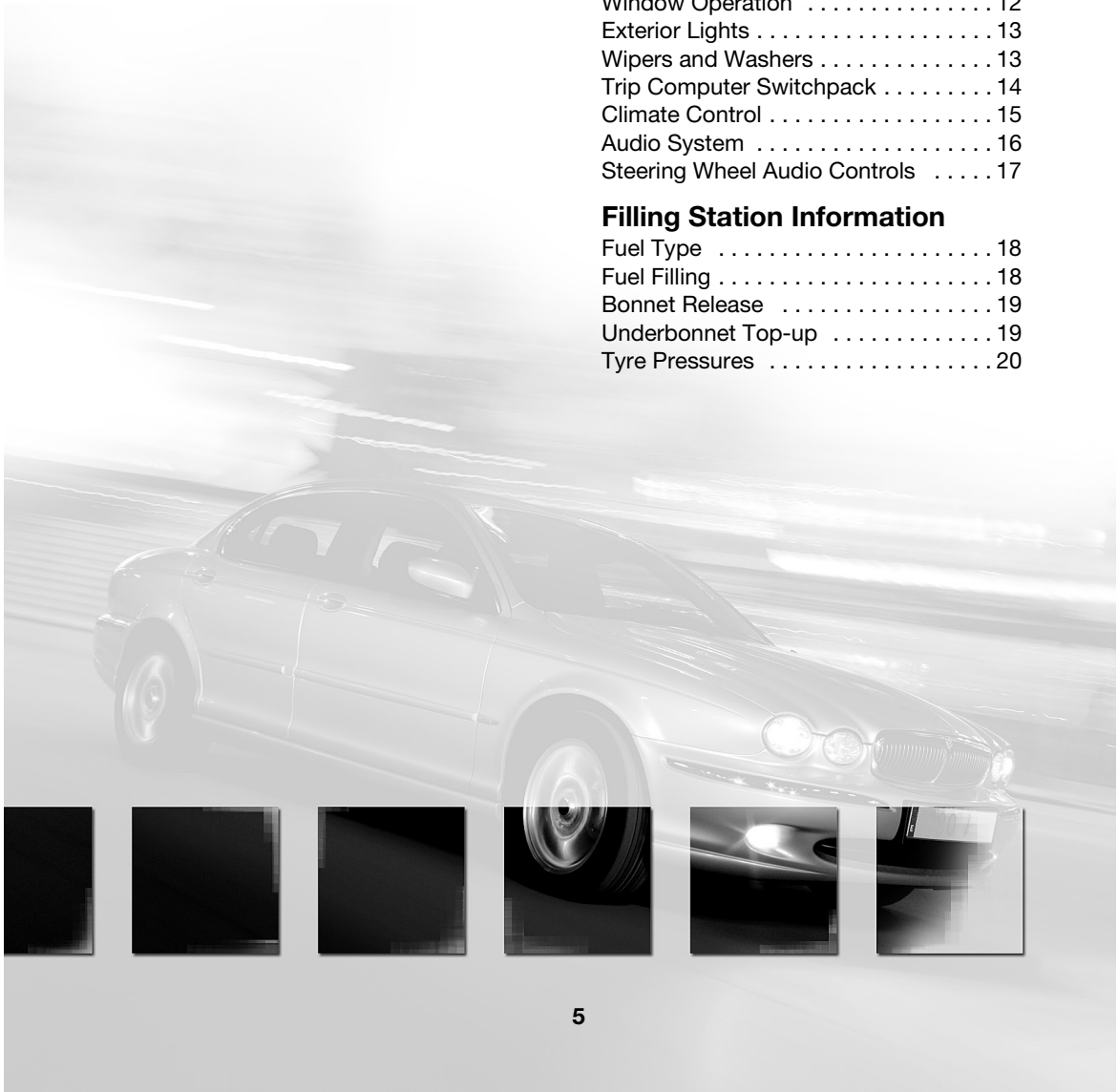
# Quick Overview

## Quick Overview

- Warning Lights ..... 7
- Fascia Controls ..... 8
- Centre Console ..... 9
- Occupancy Sensing ..... 10
- Direction Indicators ..... 10
- Overhead Console ..... 11
- Seat Adjustment ..... 11
- Steering Column Adjustment ..... 12
- Door Mirror Adjustment ..... 12
- Window Operation ..... 12
- Exterior Lights ..... 13
- Wipers and Washers ..... 13
- Trip Computer Switchpack ..... 14
- Climate Control ..... 15
- Audio System ..... 16
- Steering Wheel Audio Controls ..... 17

## Filling Station Information

- Fuel Type ..... 18
- Fuel Filling ..... 18
- Bonnet Release ..... 19
- Underbonnet Top-up ..... 19
- Tyre Pressures ..... 20

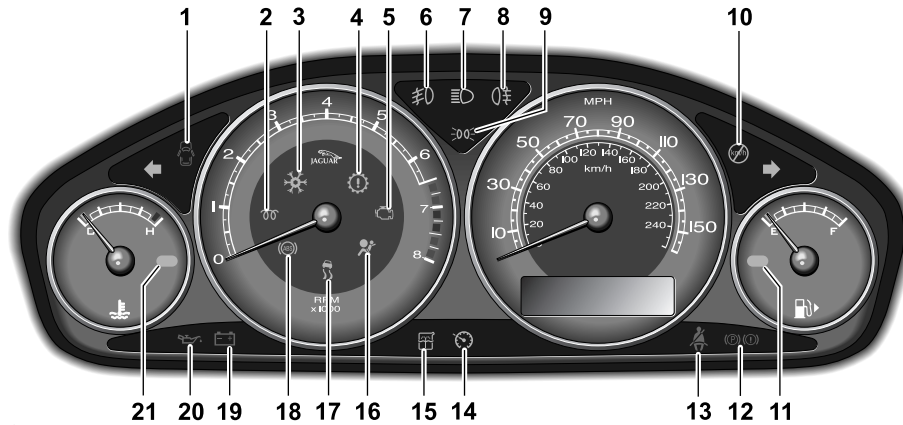


L



## Quick Overview

### Warning Lights

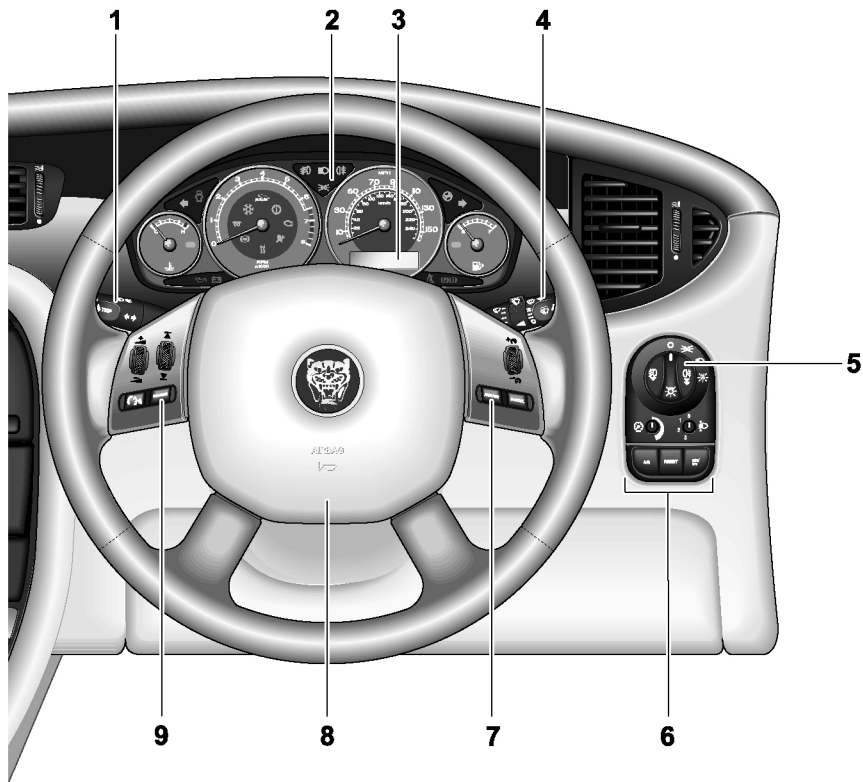


JOL3253

1. Door ajar.
  2. Glow plugs (diesel only).
  3. Low outside temperature.
  4. Powertrain malfunction.
  5. Engine malfunction.
  6. Front fog lights.
  7. Main beam.
  8. Rear fog lights.
  9. Side (parking) lights.
  10. Overspeed warning (Middle East countries only).
  11. Low fuel level.
  12. Handbrake on/brake fluid low.
  13. Driver's seat belt.
  14. Cruise control active.
  15. Low washer fluid level.
  16. Airbag.
  17. Traction control/dynamic stability control.
  18. Anti-lock braking system (ABS).
  19. Battery charge indicator.
  20. Low oil pressure.
  21. High engine temperature.
- For detailed information about instruments and warning lights, refer to page 85 of this handbook.

## Quick Overview

### Fascia Controls



JOL3181

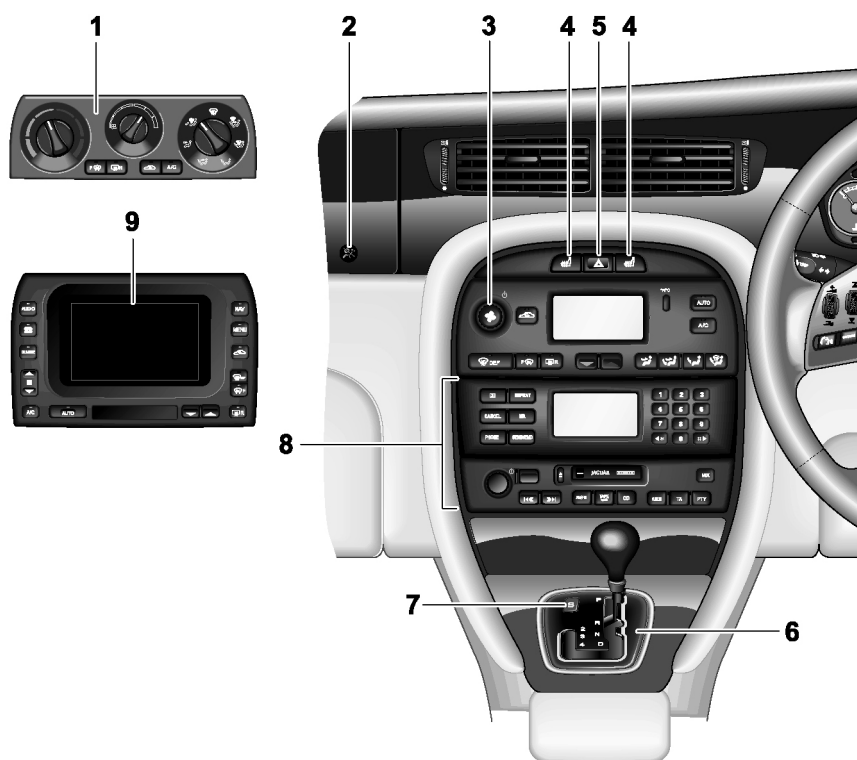
1. Direction indicator switch (104).
2. Instrument cluster (85).
3. Message centre (93).
4. Wiper/washer switches (113).
5. Exterior light switch (101).
6. Trip computer switches (96).
7. Cruise control switches (99).
8. Driver's airbag/horn (110).
9. Audio switches (see audio systems handbook).

Refer to this handbook (page numbers shown in brackets) for further relevant information.



## Quick Overview

### Centre Console

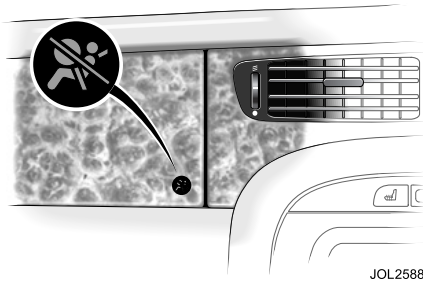


JOL3182

1. Manual climate control (144).
  2. Airbag off indicator light (55).
  3. Automatic climate control panel (147).
  4. Front seat heater switches (70).
  5. Hazard warning switch (103).
  6. Gear selector (121).
  7. Sport mode switch (123).
  8. Audio control panel (see audio systems handbook).
  9. Touch-screen (see touch-screen display handbook).
- Refer to this handbook (page numbers shown in brackets) for further relevant information.

## Quick Overview

### Occupancy Sensing



The front passenger seat is equipped with a sensor that determines if the seat is occupied by measuring the weight on the cushion. This information is used to change the passenger airbag deployment status.

An indicator light is located on the passenger fascia. This illuminates when the passenger airbag is **deactivated**.

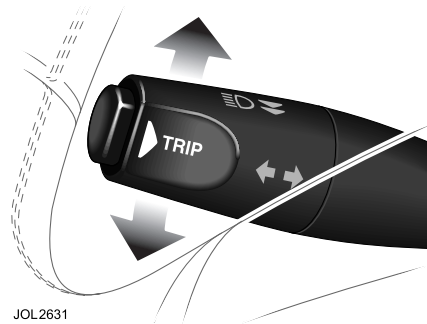
The occupancy sensor operates as follows:

Seat occupancy status	Passenger airbag status	Indicator light active
Completely empty	Deactivated	No*
Low weight occupant/object	Deactivated	Yes
Heavy occupant/object	Activated	No

\*It is possible to receive an intermittent indicator light with an empty seat condition. This is part of the system's adaptive behaviour, and does not affect the status of the passenger airbag. However, if the indicator light becomes permanently illuminated when the seat is definitely empty, then contact your nearest Jaguar Dealer immediately.

Refer to page 55 for more information.

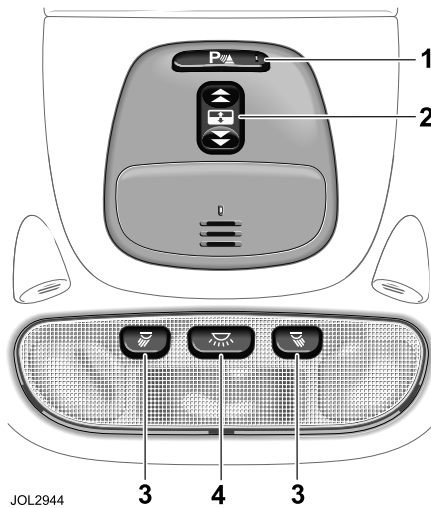
### Direction Indicators



For information on direction indicators, see page 104.

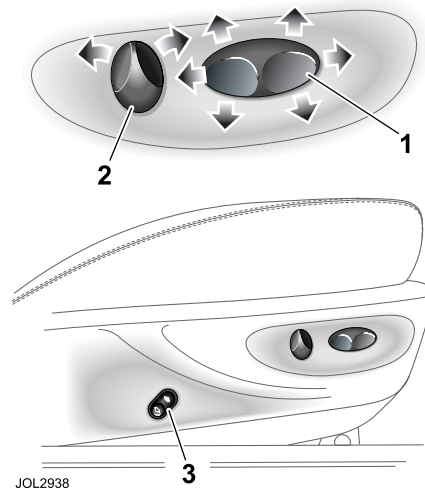
## Quick Overview

### Overhead Console



1. Park aid (see page 107).
2. Sunroof (see page 111).
3. Reading/map lights (see page 105).
4. Interior roof light (see page 105).

### Seat Adjustment



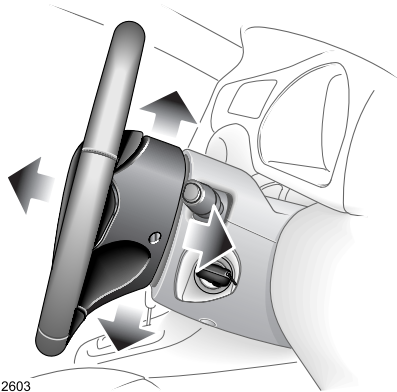
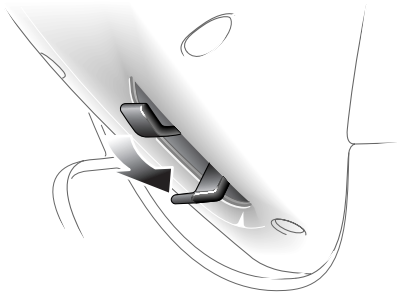
For 10-way adjustable seats:

1. Adjusts the seat base.
2. Adjusts the seat back.
3. Adjusts the lumbar support.

For more information on front and rear seat operation and for details of how to operate seats with different features, see page 67.

## Quick Overview

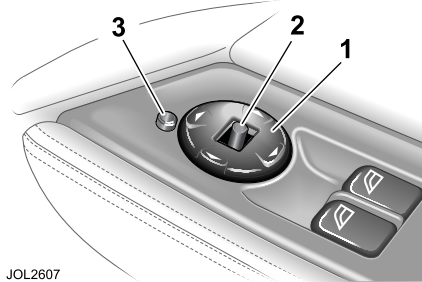
### Steering Column Adjustment



JOL2603

For full details on how to adjust the steering column, see page 72.

### Door Mirror Adjustment

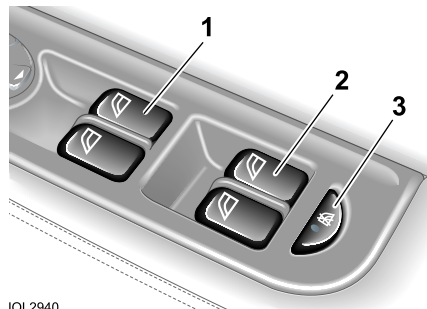


JOL2607

1. Adjusts mirrors.
2. Selects left or right-hand door mirror.
3. Folds door mirrors flat.

For more information on door mirrors, see page 75.

### Window Operation



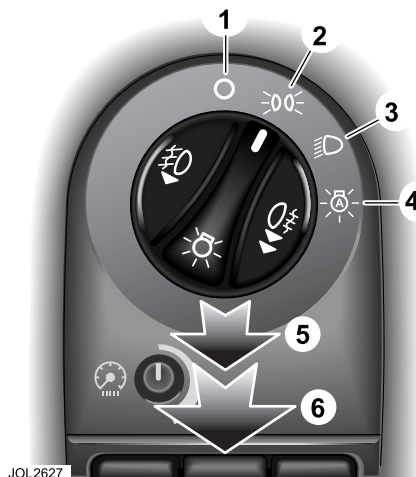
JOL2940

1. Opens/closes front windows.
2. Opens/closes rear windows.
3. Isolates operation of rear windows.

For more information on window operation, see page 73.

## Quick Overview

### Exterior Lights



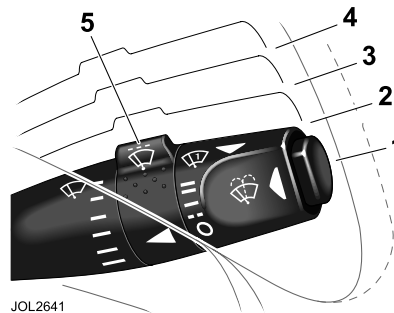
JOL2627

1. Exterior lights OFF.
2. Side (parking) lights.
3. Headlights.
4. Auto lights.
5. Front fog lights.
6. Rear fog lights.

For more information about exterior lighting, see page 101.

### Wipers and Washers

1. Wipers OFF.
2. Intermittent wipe.
3. Normal wiper operation.
4. High speed wiper operation.
5. Intermittent delay collar - rotate to vary the wipe delay and AUTO wipe.



JOL2641

#### Caution:

- Ensure that **AUTO** is not selected when entering a car wash or damage to the wiper blades/arms can occur.
- During frosty conditions, ensure that **AUTO** is not selected before operating the ignition switch as damage to the wiper blades can occur when the windscreen is frozen.

#### Flick wipe

**Saloon** - Pull stalk towards the steering wheel.

**Estate** - Push stalk down from OFF (1) position.

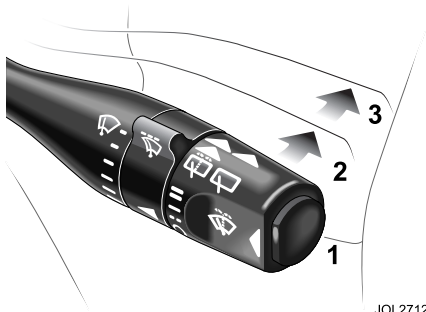
**Note:** When starting a journey with a wet windscreen, the rain sensing wipers will not operate immediately the ignition is switched on. Therefore, a flick wipe should be used to clear the windscreen of any moisture.

#### Wash/wipe

Push the button on the end of the column switch.

## Quick Overview

### Rear wash/wipe (Estate only)



JOL2712

Estate models are fitted with a rear screen wash/wipe. This is operated by the right-hand column stalk and only operates with the ignition in position 'II'.

The stalk functions are as follows:

1. Rear wiper off and parked.
2. Intermittent wipe.
3. Continuous wash and wipe.

If reverse gear is selected, the rear wiper will operate automatically if the windscreen wipers are switched on.

**Caution: In cold conditions, when frost may be present on the rear screen, it is advisable to switch off the windscreen wipers before selecting reverse gear. The automatic operation of the rear wiper may cause damage to the blade if the screen is heavily frosted.**

For full details on how to operate the wipers/washers, see page 112.

### Trip Computer Switchpack



JOL2623

#### ML/km

Pressing the 'ML/km' switch alternately displays data in metric or imperial units.

#### A/B

Selects either A or B trip memory. Select the required data using the column stalk TRIP button and then pressing A/B will show the A or B information for that data.

#### RESET

RESET resets the selected trip to zero.

#### Resetting the trip computer

At the start of the journey (or series of journeys) to be recorded, reset the computer memory to zero as follows:

1. Press the TRIP button on the end of the left column stalk switch to select a trip function. The computer will display either TRIP A: or TRIP B: data.
2. Press the A/B switch to select the trip (A or B) to be reset.
3. Press the RESET switch and hold for 3 seconds.

For more information, refer to page 97.

## Quick Overview

### Climate Control



JOL3276

1. Push for system ON/OFF, rotate for manual blower speed.
2. Automatic operation.
3. Air conditioning.
4. Heated rear screen.
5. Defrost.

Moisture removed from the air by the air conditioning unit is discharged onto the road underneath the vehicle. After stopping, puddles of water may form underneath the vehicle: this is normal.

For full details of climate control, see page 141.

#### For optimum comfort and system operation:

- Optimum temperature control and comfort is achieved by selecting **AUTO**.
- Operate with **A/C** on throughout the year to reduce the risk of misting.
- **A/C** operates automatically in **DEFROST** and partial screen modes to maximise screen clearance. **A/C** cannot be switched off in **DEFROST**.
- Recirc is automatically cancelled in **DEFROST** and in partial screen modes as it contributes to misting. Recirc cannot be selected in **DEFROST**.

## Quick Overview

### Audio System



JOL3274

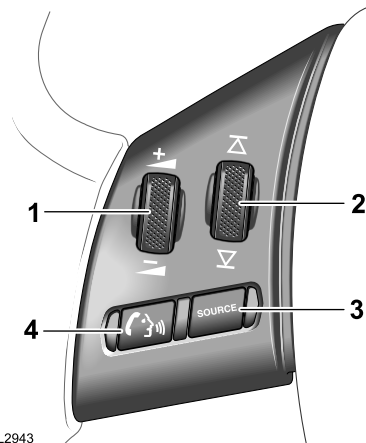
1. ON/OFF switch and volume control.
2. Seek AM/FM station, seek tape or cue/rewind CD.
3. AM/FM radio waveband select.
4. Select cassette tape play when in other audio mode. Change tape side when a tape is playing.
5. Select CD changer.
6. Pre-set buttons and phone key pad.
7. Phone mode.
8. Cassette tape eject.
9. CD eject.
10. Select CD changer.
11. Select CD play when in other audio mode.

For all other options and functions, see the audio systems handbook.



## Quick Overview

### Steering Wheel Audio Controls



1. Increase/decrease volume.
2. Cycle through preset radio stations, next CD/MD track or tape automatic music search. Press and hold for 2 seconds to select next strong radio station, next CD or change tape side.
3. Cycle through radio FM, AM, cassette, CD, MD and CD changer. Press and hold for 2 seconds to select Phone Ready mode.
4. Start voice session, or mute if voice is not fitted. Answer phone call when ringing, or send/end in Phone mode.

For further information, see the audio systems handbook.

## Filling Station Information

### Fuel Type

**Petrol models** - Unleaded 95 RON.

**Diesel models** - Diesel fuel to EN 590 or equivalent.

**Caution: DIESEL ENGINES** - If you inadvertently fill your vehicle with petrol instead of diesel, do not attempt to start the engine. Contact your Jaguar Dealer immediately.

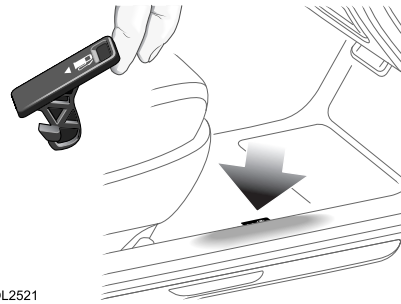
Attempting to start the engine with petrol in the fuel tank will cause extensive damage to the engine and fuel system, which will not be covered by your Jaguar warranty.

Jaguar can accept no responsibility for any damage caused by running your vehicle with petrol in the fuel tank.

**Diesel engines only:** Drivers should expect above normal fuel consumption when the engine is new and 'bedding in'. After a period of time, the fuel consumption will gradually improve to expected levels.

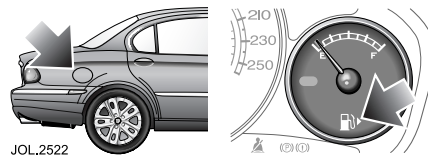
**Caution: Do not use RME (bio-diesel) except in the case of proprietary diesel fuels which contain a mix of up to 5%.**

### Fuel Filling



JOL2521

Pull the fuel filler flap release. This is located on the floor, outboard of the driver's seat, see page 134.



JOL.2522

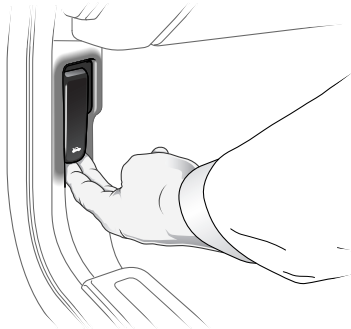
The filler flap is located on the right-hand side of the vehicle.

For quickness and to completely fill the tank, ensure that the fuel nozzle rests on the bottom of the filler neck.

After refuelling, refit the filler cap in the filler neck and twist the cap clockwise until it clicks three times. Close the flap, which automatically locks shut.

## Filling Station Information

### Bonnet Release



JOL2523

Pull the release lever located below the fascia on the left-hand side of the vehicle, see page 180.

### Underbonnet Top-up

#### Recommended engine oil

See page 185.

#### Petrol models -

Castrol 5W-30 to Jaguar specification WSS M2C913 - A or B.

#### Diesel models -

An oil of 5W-30 to Jaguar specification WSS M2C913 - B must be used in all vehicles with a diesel engine.

For **top-up purposes only**, where oil of specification WSS-M2C-913-B cannot be found, ACEA B1 or ACEA B3 specification oils may be used.

#### Windscreen/headlight washer reservoir.

See page 186.

#### Cooling system

50% water/50% anti-freeze, see page 187.

## Filling Station Information

### Tyre Pressures

The tyre pressures for all normal operating conditions are shown on a label fixed to the end of the dashboard on the driver's side of the vehicle.

Check pressures when the tyres are cold (see page 194). Deflating air from a warm tyre to the recommended pressure will result in under inflation which may be dangerous.

For your convenience you may wish to record the tyre pressures in the boxes provided below. If you are unsure of the correct pressures, please contact your Jaguar Dealer.

#### FRONT

Normal Driving

Laden/High Speed

Spare Wheel

#### REAR

Normal Driving

Laden/High Speed

Spare Wheel



#### WARNING:

When using tyres other than those recommended by Jaguar, do not exceed the speed capacity recommended by the manufacturer.

## Owner Information

### General Information

Overview .....	23
Jaguar Dealers .....	23
Floor Mat Retention .....	24
Mobile/Portable Telephones .....	24
Window Tinting .....	24
Protect the Environment .....	24
Leather Care Guide .....	25
Warnings, Cautions and Notes .....	26
Regular Servicing .....	26
Vehicle Identification Number (VIN) ..	27
Certification Label .....	27
Health and Safety .....	28



L

